


Teil Part	Beschreibung Description	Sachnummer Code no.	Position Sheet Pos.	Ort Loc.
A01	Maschinensteuerung machine controller	97155519	siehe Zusatztab.	
A02	Bedienfeld touch panel	97152763	siehe Zusatztab.	
A04	Fahrsteuerung Vorderrad drive controller	97146609	siehe Zusatztab.	
A05	Fahrsteuerung Hinterrad drive controller	97146450	siehe Zusatztab.	
A06	Maschinensteuerung Slave machine controller slave	97155519	siehe Zusatztab.	
A10	Chemiepumpensteuerung chemical pump controller	97148605	12/42	
A20	Fleetrecorder fleetrecorder	92058015	12/14	
B03	Fahrgeber accelerator	97131882	9/40	
B04	Frischwassersensor fresh water sensor	92013481	6/15	
B20	I-Button-Reader i-button-reader	97131429	12/22	
B101	Durchflussmesser flow sensor	90596529	12/42	
C01	Entstörkondensator suppressor capacitor front drive	90288879	5/20	
E01	Arbeitsscheinwerfer working headlight	97132807	11/5	
E02	Blitzleuchte warning beacon	97084222	11/12	
E02.	Blitzleuchte am Schutzdach warning beacon on overhead cover	97084222	11/20	
E03	Blinklicht warning beacon	97131023	11/31	
E14	BlueSpot vorne bluespot front	92049915	11/41	
E21	Arbeitsscheinwerfer Kehrv. working headlight	97132807	14/37	
F01	Sicherung Steuerspannung 7,5A fuse controller 7,5A	19731587	3/12	
F02	Sicherung Maschinensteuerung 125A fuse machine controller 125A	19731140	3/28	
F03	Sicherung Fahrsteuerung vorne 150A fuse drive controller front 150A	19731561	3/33	
F04	Sicherung Fahrsteuerung hinten 150A fuse drive controller rear 150A	19731561	3/37	
F05	Sicherung Option 30A fuse options 30A	19731595	3/42	
F06	Sicherung Dritter Bürstenmotor 30A fuse third brush motor 30A	19731512	3/47	
F19	Sicherung Hupe/Fleet 5A fuse horn/fleet 5A	19731272	3/16	
F20	Sicherung Chemiedosierung 5A fuse chemical dosing 5A	19731272	3/21	
G01	Batterie 480Ah PzS battery 480Ah PzS	92024629	3/4	
G01	Batterie 420Ah PzV battery 420Ah PzV	92042522	3/4	
H01	Hupe horn	90194911	5/16	
K01	Relais 1-pol. Steuerung Master relais 1-pole controller master	92027176	3/27	
K02	Relais 1-pol. relais 1-pole	90267949	9/6	
K03	Relais 1-pol. relais 1-pole	90267949	10/27	
K05	Rel. Ausheb. Seitenb. rel. actuator sidebr.	90696857	15/50	
K06	Relais 1-pol. Steuerung Slave relais 1-pole controller slave	90267949	3/41	
K21	Relais 1-pol. Kehrmotor relais 1-pole sweepmotor	90267949	13/7	
M01	Fahrmotor drive motor	90685835	9/40	
M02	Hinterradantrieb drive motor rear	92020312	10/36	
M03	Bürstenmotor links (Tellerbürste) brush motor left (plate brush)	90577248	7/37	
M03.	Bürstenmotor links (Walzenbürste) brush motor left (cylindrical brush)	92014968	7/12	
M03..	Bürstenmotor links (Tellerbürste) brush motor left (plate brush)	90577248	8/11	
M04	Bürstenmotor rechts (Tellerbürste) brush motor right (plate brush)	90577248	7/42	
M04.	Bürstenmotor rechts (Walzenbürste) brush motor right (cylindrical brush)	92014968	7/21	

Teil Part	Beschreibung Description	Sachnummer Code no.	Position Sheet Pos.	Ort Loc.
M04..	Bürstenmotor rechts (Tellerbürste) brush motor right (plate brush)	90577248	8/22	
M05..	Bürstenmotor mitte (Tellerbürste) brush motor center (plate brush)	90577248	8/33	
M08	Wasserpumpe waterpump	97116529	6/22	
M09	Hubelement Bürstendeck lifting element brushdeck	92023332	7/12	
M10	Hubelement Saugfuß lifting element saueegee	92005727	7/22	
M12	Hubelement Seitenbesenanlage lifting element side brush deck	92005727	15/50	
M16	Saugmotor suction motor	97142475	7/37	
M17	Saugmotor suction motor	97142475	7/42	
M19	Seitenbesenmotor links sidebroom left	92019017	15/5	
M20	Seitenbesenmotor rechts sidebroom right	92014455	15/15	
M21	Kehrmotor Swepp motor	92022524	14/24	
P02	Signalgeber buzzer	97047187	11/26	
P03	Signalgeber buzzer	97047187	11/40	
R20	Lenkwinkelsensor sensor steer angel	92017995	10/22	
R102	Vorwiderstand 2k7 resistor 2k7	19245258	12/21	
R106	Vorwiderstand 270R resistor 270R	19245109	11/27	
R107	Vorwiderstand 270R resistor 270R	19245109	11/32	
R108	Vorwiderstand 270R resistor 270R	19245109	11/41	
S01	Schlüsselschalter key switch	90323437	4/34	
S02	Schalter Bremsüberwachung switch brake unlock	92046960	10/56	
S04	Schmutzwasserschalter dirty water switch	97142400	6/23	
S05	Sitzkontaktschalter seat contact switch	90690694	6/29	
S10	Fußbremsschalter switch foot brake	90472176	9/17	
V01	Freilaufdiode recovery diode	90194879	5/14	
Y01	Wasserventil watervalue	90435595	6/34	


Teil Part	Beschreibung Description	Sachnummer Code no.	Position Sheet Pos.	Ort Loc.
X01	Batteriestecker 320A battery connector 320A		3/2, 3/24, 3/37	
X11	8-pol. Mini-Fit Jr. 8-pol. Mini-Fit Jr.		10/7, 10/17	
X20	6-pol. Mini-Fit Jr. 6-pol. Mini-Fit Jr.		6/6, 7/21, 7/57, 8/41	
X21	10-pol. Mini-Fit Jr. 10-pol. Mini-Fit Jr.		8/14	
X22	4-pol. Mini-Fit Jr. 4-pol. Mini-Fit Jr.		15/35	
X23	2-pol. Mini-Fit Jr. 2-pol. Mini-Fit Jr.		13/16	
X24	2-pol. Microfit 2-pol. Microfit		6/9, 11/27, 11/41	
X25	2-pol. Mini-Fit Jr. 2-pol. Mini-Fit Jr.		6/13, 11/33, 11/45	
X26	2-pol. Mini-Fit Jr. 2-pol. Mini-Fit Jr.		6/17	
X28	12-pol. Mini-Fit Jr. 12-pol. Mini-Fit Jr.		13/23	
X43	Verteilerbolzen (-) M8 junction bolt (-) M8	90268657	3/40, 4/6	
X44	4-pol. Fastin-Faston 6.3 4-pol. Fastin-Faston 6.3		7/24, 15/46, 15/48	
X45	8-pol. Mini-Fit Jr. 8-pol. Mini-Fit Jr.		15/30	
X51	9-pol. Amphenol 9-pol. Amphenol		13/8, 14/24	
X52	2-pol. Fastin-Faston 6.3 2-pol. Fastin-Faston 6.3		6/55, 15/15	
X60	OBDDI Diagnosestecker OBDDI diagnostic connector	19730159	4/55	
X65	2-pol. AMP Super-Seal 2-pol. AMP Super-Seal		11/14, 11/22	
X97	4-pol. USB 4-pol. USB		5/40	
X100	VGND M6 Bolzen VGND M6 bolt		5/35	
X101	VGND M6 Bolzen VGND M6 bolt		6/55	

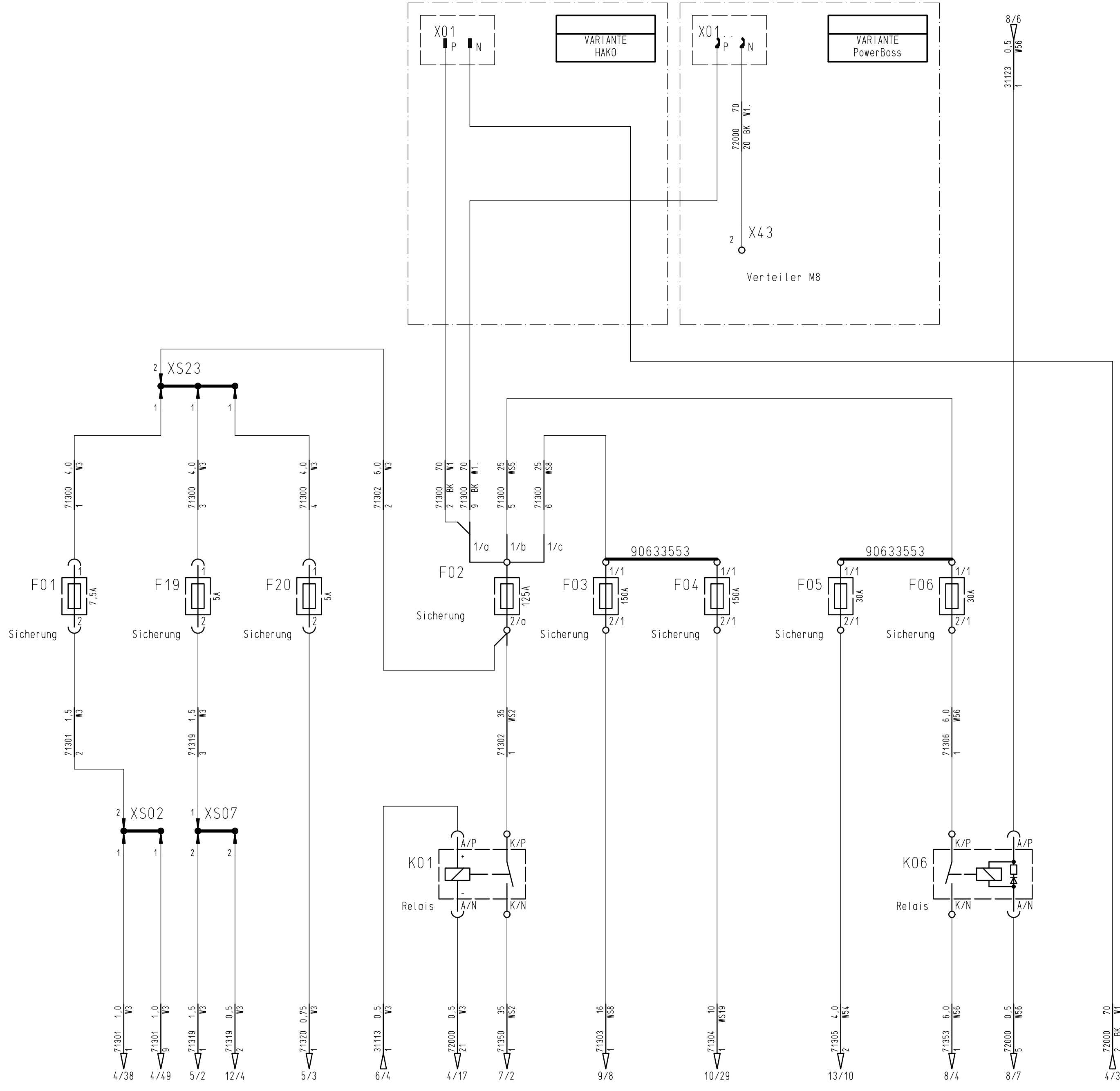
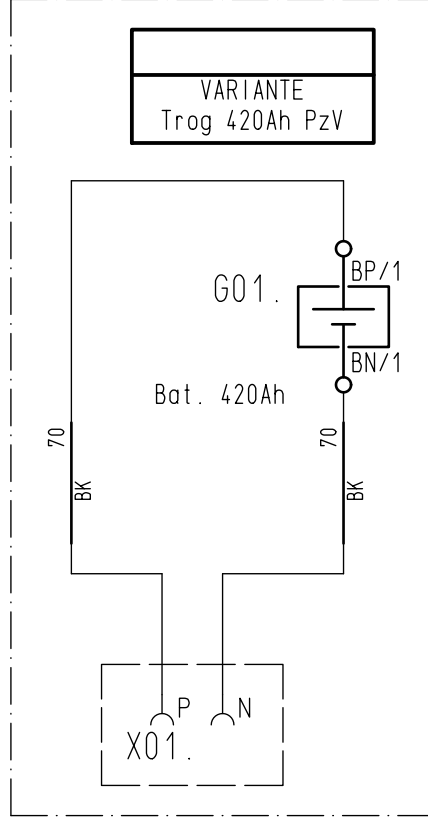
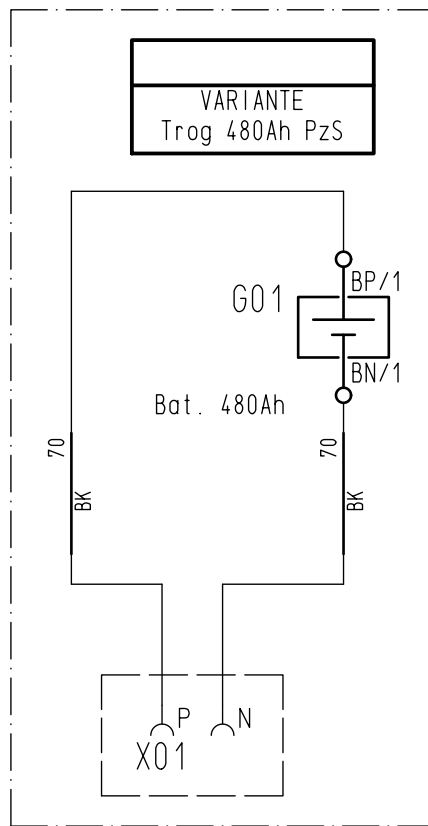
Integrated acc.		4070-30	06.05.19	Ri	2017	Date	Name	B260 R		Name				Drawing Number		
No. Number appears		Change No.	Date	Name	Standard			Replacem. for		Schaltplan B260 R / circuit diagram B260 R				91039289		
								Change No. 0000-05		For this drawing we reserve all rights (acc. DIN ISO 16016)		KABI 470	Type 7436	Dep. DS	No. of Sh. 18	Sheet 1

Teil Part	Beschreibung Description	Sachnummer Code no.	Position Sheet Pos.	Ort Loc.
XS01	Splice splice	-	4/40	
XS02	Splice splice	-	3/15	
XS03	Splice splice	-	8/7	
XS04	Splice splice	-		
XS05	Splice splice	-	8/11	
XS07	Splice splice	-	3/17	
XS06	Splice splice	-	4/35	
XS09	Splice splice	-	12/5	
XS10	Splice splice	-	10/36	
XS11	Splice splice	-	9/14	
XS12	Splice splice	-	9/1	
XS14	Splice splice	-	4/16	
XS15	Splice splice	-	15/15	
XS16	Splice splice	-	15/17	
XS17	Splice splice	-	9/14	
XS19	Splice splice	-	9/29	
XS20	Splice splice	-	9/31	
XS23	Splice splice	-	3/16	
XS29	Splice splice	-	14/25	
XS30	Splice splice	-	14/28	
XS31	Splice splice	-	14/30	
XS32	Splice splice	-	13/8	
XS33	Splice splice	-	13/11	
XS34	Splice splice	-	5/16	
XS35	Splice splice	-	5/16	
XS36	Splice splice	-	5/20	
XS37	Splice splice	-	5/21	
XS38	Splice splice	-	5/26	
XS39	Splice splice	-	5/28	
XS40	Splice splice	-	5/35	
XS41	Splice splice	-	5/50	
XS42	Splice splice	-	5/53	
XS43	Splice splice	-		
XS44	Splice splice	-		
XS45	Splice splice	-	15/45	
XS46	Splice splice	-	5/35	
XS47	Splice splice	-	5/36	
XS48	Splice splice	-	5/41	
XS50	Splice splice	-	5/44	
XS51	Splice splice	-	6/30	
XS77	Splice splice	-		

Teil Part	Beschreibung Description	Position Sheet Pos.	Ort Loc.
A01	Maschinensteuerung machine controller	X1 7/2 X2 7/2	X3 7/35 X4 7/40
A01	Maschinensteuerung machine controller	X11/1 7/19 X11/2 7/24	X11/3 7/33 X11/4 7/17
A01	Maschinensteuerung machine controller	X12/1 6/24 X12/2 6/8 X12/3 6/8 X12/4 6/27 X12/5 6/30	X12/6 6/36 X12/7 7/27 X12/8 6/17 X12/9 6/39 X12/10 6/13
A01	Maschinensteuerung machine controller	X13/1 7/11 X13/2 6/49 X13/3 6/8 X13/4 6/8 X13/5 6/30	X13/6 6/36 X13/7 7/14 X13/8 6/51 X13/9 6/8 X13/10 6/36
A01	Maschinensteuerung machine controller	X14/1 6/2 X14/2 6/4	X14/3 5/45 X14/4 5/42
A01	Maschinensteuerung machine controller	X15/1 6/2 X15/2 6/20 X15/3 6/20 X15/4 6/24 X15/5 7/10	X15/6 6/28 X15/7 6/30 X15/8 6/41 X15/9 6/45 X15/10 6/49
A01	Maschinensteuerung machine controller	X18/1 5/46 X18/2 5/44	X18/3 5/52 X18/4 6/8
A01	Maschinensteuerung machine controller	X20/1 5/51 X20/2 5/51	X20/3 5/51 X20/4 5/49
A01	Maschinensteuerung machine controller	X22 6/56	
A02	Bedienfeld touch panel	X101/1 5/5 X101/2 5/10 X101/3 5/10 X101/4 5/12 X101/5 5/7	X101/6 5/8 X101/7 5/9 X101/8 5/9 X101/9 5/12 X101/10 5/7
A02	Bedienfeld touch panel	X105/1 5/20 X105/2 5/22 X105/3 5/17 X105/4 5/17 X105/5 5/23	X105/6 5/17 X105/7 5/17 X105/8 5/17 X105/9 5/17 X105/10 5/17
A04	Fahrsteuerung drive controller	PBat/B-9/8 NBat/B-9/8	M1/1 9/40 M2/1 9/42
A04	Fahrsteuerung drive controller	A/1 9/33 A/2 9/35 A/3 9/41 A/4 9/17 A/5 9/17	A/6 9/27 A/7 9/21 A/8 9/46 A/9 9/48 A/10 9/21
A04	Fahrsteuerung drive controller	B/1 9/33 B/2 9/35 B/3 9/41 B/4 9/17 B/5 9/17	B/6 9/27 B/7 9/21 B/8 9/46 B/9 9/48 B/10 9/21
A05	Fahrsteuerung drive controller	PBat/B-10/29 NBat/B-10/17	M1/1 10/38 M2/1 10/40
A05	Fahrsteuerung drive controller	A/1 10/33 A/2 10/35 A/3 10/41 A/4 10/39 A/5 10/39	A/6 10/27 A/7 10/21 A/8 10/46 A/9 10/24 A/10 10/36
A05	Fahrsteuerung drive controller	B/1 10/33 B/2 10/35 B/3 10/41 B/4 10/39 B/5 10/39	B/6 10/27 B/7 10/21 B/8 10/46 B/9 10/24 B/10 10/36
A06	Maschinensteuerung Slave machine controller slave	X1 8/4 X2 8/4	X3 8/33 X4 8/35
A06	Maschinensteuerung Slave machine controller slave	X14/1 8/15 X14/2 8/6	X14/3 8/7 X14/4 8/7
A06	Maschinensteuerung Slave machine controller slave	X15/1 8/24 X15/2 8/24 X15/3 8/24 X15/4 8/24 X15/5 8/24	X15/6 8/24 X15/7 8/24 X15/8 8/24 X15/9 8/24 X15/10 8/24
A06	Maschinensteuerung Slave machine controller slave	X16/1 8/12 X16/2 8/12 X16/3 8/12 X16/4 8/12 X16/5 8/10	X16/6 8/12 X16/7 8/12 X16/8 8/12 X16/9 8/12 X16/10 8/10

Teil Part	Beschreibung Description	Sachnummer Code no.	Position Sheet Pos.	Ort Loc.
	Kabelbaum W1 (Batteriestecker DIN) Wiring harness W1 (battery connector DIN)	97154348		
	Kabelbaum W1 (Batteriestecker Anderson) Wiring harness W1 (battery connector Anderson)	97157044		
	Kabelbaum W3 Wiring harness W3	97150395		
	Kabelbaum W4 (WB 1080) Wiring harness W4 (CB 1080)	97150270		
	Kabelbaum W5 (TB 1080 3-TB, TB 1230) Wiring harness W5 (PB 1080 3-PB, PB 1230)	97150288		
	Kabelbaum W6 (TB 1080) Wiring harness W6 (PB 1080)	97157069		
	Kabelbaum W10 Wiring harness W10	97150262		
	Kabelbaum W18 (Allrad) Wiring harness W18 (all-wheel)	97149512		
	Kabelbaum W19 (Allrad) Wiring harness W19 (all-wheel)	97149504		
	Kabelbaum W29 Wiring harness W29	97145791		
	Kabelbaum W52 (Seitenbesen) Wiring harness W52 (side broom)	97152193		
	Kabelbaum W53 (Seitenbesen) Wiring harness W53 (side broom)	97146161		
	Kabelbaum W54 (Kehrvorsatz) Wiring harness W54 (sweep attachment)	97160022		
	Kabelbaum W56 (TB 1230) Wiring harness W56 (PB 1230)	97154124		
	Kabelbaum W65 (Blitzleuchte) Wiring harness W65 (flashlight)	97144844		
	Kabelbaum W66 (Blitzleuchte Fahrerschutzdach) Wiring harness W66 (flashlight overhead cover)	97154231		
	Kabelbaum W67 (Blinklicht) Wiring harness W67 (warning beacon)	97156848		
	Kabelbaum W69 (Summer) Wiring harness W69 (buzzer)	97158299		
	Kabelbaum WS2 Wiring harness WS2	97152318		
	Kabelbaum WS5 Wiring harness WS5	97154975		
	Kabelbaum WS6 (Einzelrad) Wiring harness WS6 (mono wheel)	97145916		
	Kabelbaum WS8 Wiring harness WS8	97152151		
	Kabelbaum WS10 Wiring harness WS10	97142939		
	Kabelbaum WS11 (TB 1230) Wiring harness WS11 (PB 1230)	97158281		
	Kabelbaum WS19 (Allrad) Wiring harness WS19 (all wheel)	97152144		
	Kabelbaum WS30 Wiring harness WS30	97140925		

Integrated acc.		4070-30	06.05.19	Ri	2017	Date	Name	B260 R		Name	Schaltplan B260 R / circuit diagram B260 R		 Hako GmbH D-23840 Bad Oldesloe		Drawing Number			
No. Number appears		Change No.	Date	Name	Standard			Replacem. for		0000-05		For this drawing we reserve all rights (acc. DIN ISO 16016)		KAB1 470	Type 7436	Dep. DS	No. of Sh. 18	Sheet 2



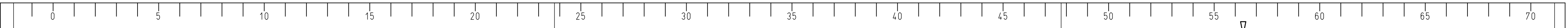
- ### Legende
- F01 Sicherung Steuerspannung 7,5A
fuse controller 7,5A
 - F02 Sicherung Maschinensteuerung 125A
fuse machine controller 125A
 - F03 Sicherung Fahrsteuerung vorne 150A
fuse drive controller front 150A
 - F04 Sicherung Fahrsteuerung hinten 150A
fuse drive controller rear 150A
 - F05 Sicherung Option 30A
fuse options 30A
 - F06 Sicherung Dritter Bürstenmotor 30A
fuse third brush motor 30A
 - F19 Sicherung Hupe/Fleet 5A
fuse horn/fleet 5A
 - F20 Sicherung Chemiedosierung 5A
fuse chemical dosing 5A

 - G01 Batterie 480Ah PzS
battery 480Ah PzS
 - G01. Batterie 420Ah PzV
battery 420Ah PzV

 - K01 Relais 1-pol. Steuerung Master
relais 1-pole controller master
 - K06 Relais 1-pol. Steuerung Slave
relais 1-pole controller slave

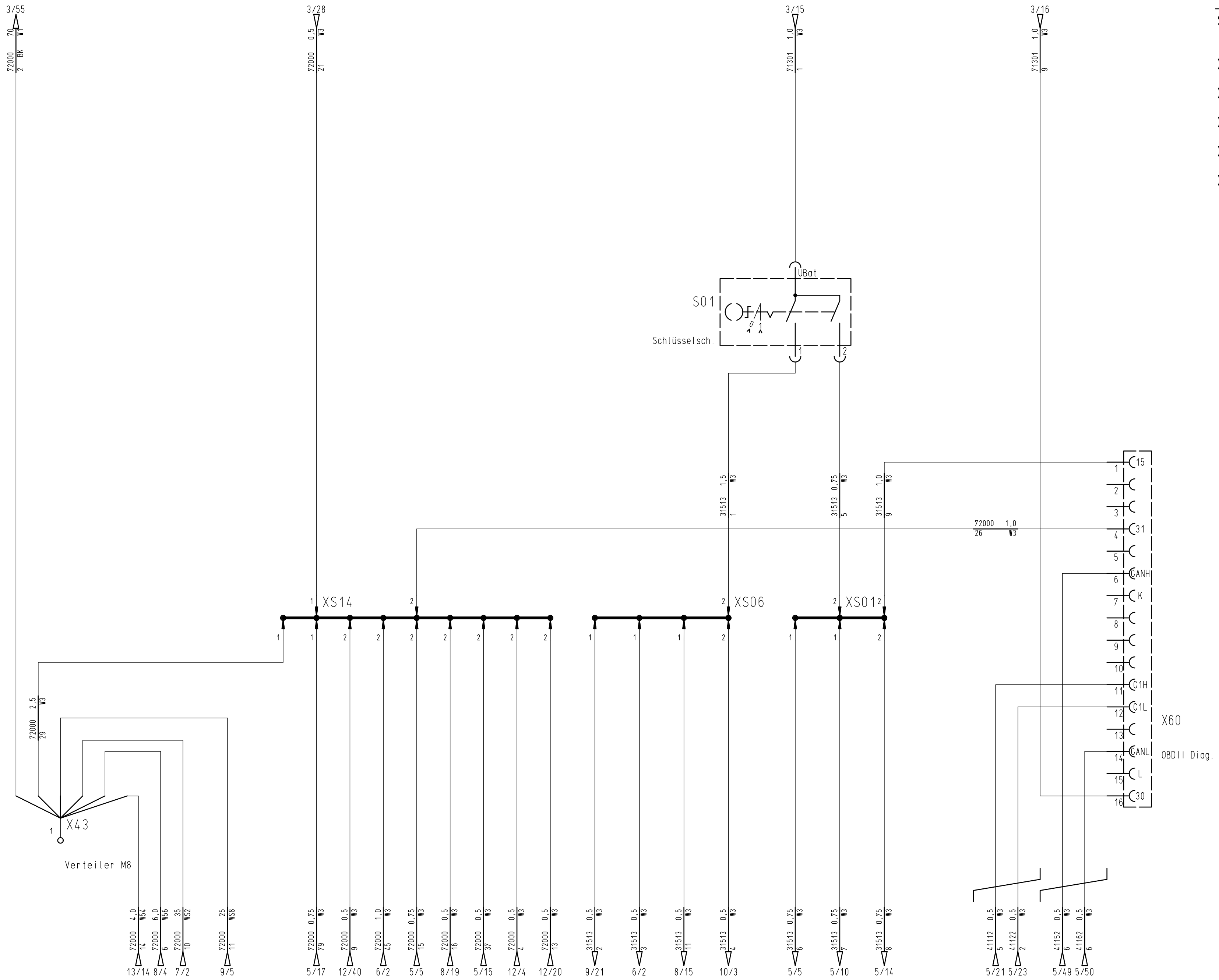
 - X01 Batteriestecker 320A
battery connector 320A
 - X01. Batteriestecker 320A
battery connector 320A
 - X01. Batteriestecker SR320
battery connector SR320
 - X43 Verteilerbolzen (-) M8
junction bolt (-) M8
 - XS02 USSP
ussp
 - XS07 USSP
ussp
 - XS23 USSP
ussp

Integrated acc.		4070-30	06.05.19	Ri	2018	Date	Name	B260 R	Name	 Hako GmbH D-23840 Bad Oldesloe	Drawing Number		
No. Number appears		Change No.	Date	Name	Standard	24.07.	Ri	Replacem. for	Schaltplan B260 R / circuit diagram B260 R		91039289		
Change No.		Date	Name	Standard				Change No.	0000-05	For this drawing we reserve all rights (acc. DIN ISO 16016)		No. of Sh. 18	
										KABI 470	Type 7436	Dep. DS	Sheet 3



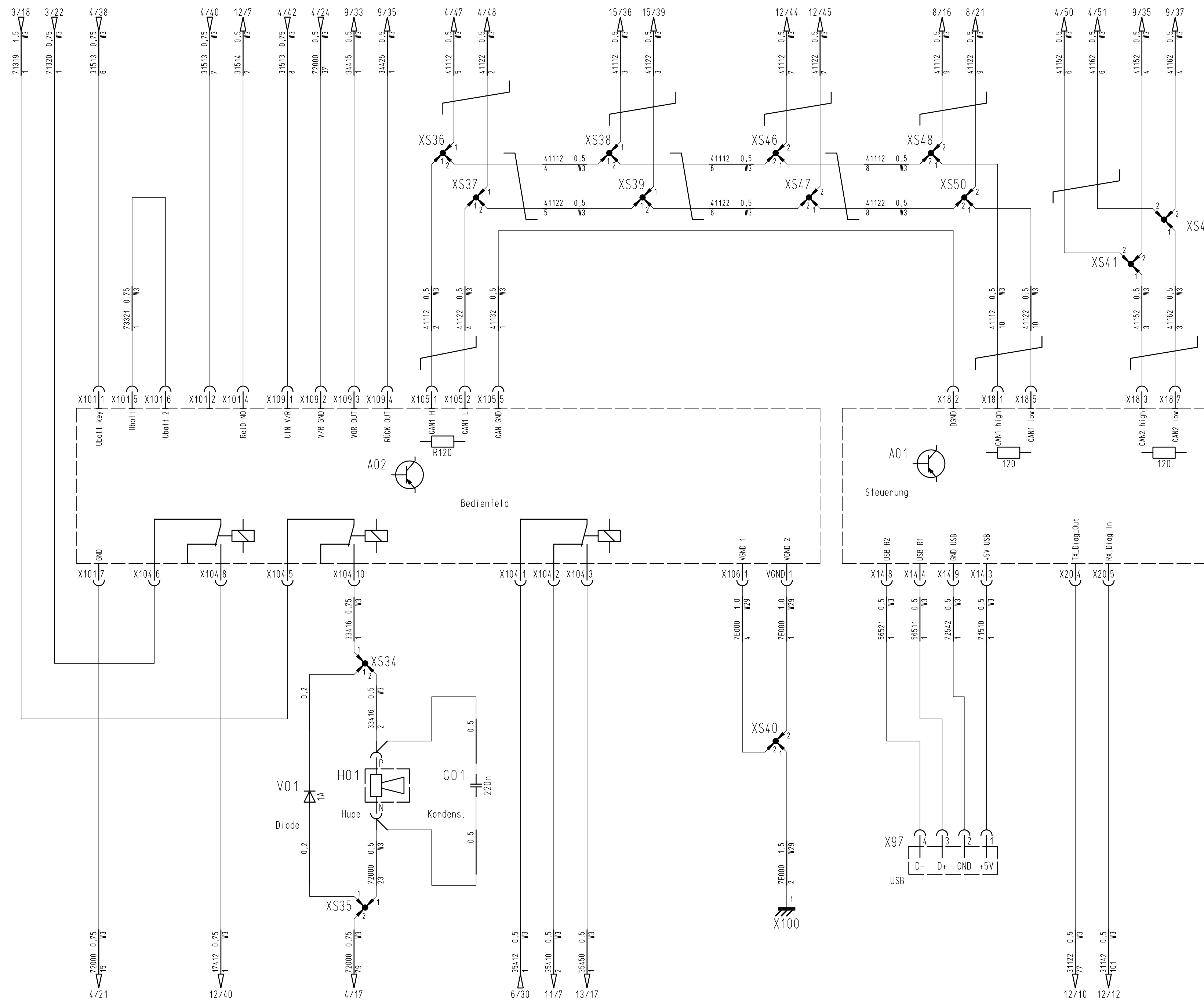
Legende

- S01 Schlüsselschalter
key switch
- X43 Verteilerbolzen (-) M8
junction bolt (-) M8
- X60 OBDII Diagnosestecker
OBDII diagnostic connector
- XS01 USSP
ussp
- XS06 USSP
ussp
- XS14 USSP
ussp



Integrated acc.		4070-30	06.05.19	Ri	2017	Date	Name	B260 R	Name	 Hako GmbH D-23840 Bad Oldesloe	Drawing Number	
No. Number appears		Change No.	Date	Name	Standard	24.01.	Ri	Replacem. for	Schaltplan B260 R / circuit diagram B260 R		91039289	
A2								Change No.	0000-05	For this drawing we reserve all rights (acc. DIN ISO 16016)		No. of Sh. 18
								KABI 470		Type 7436	Dep. DS	Sheet 4

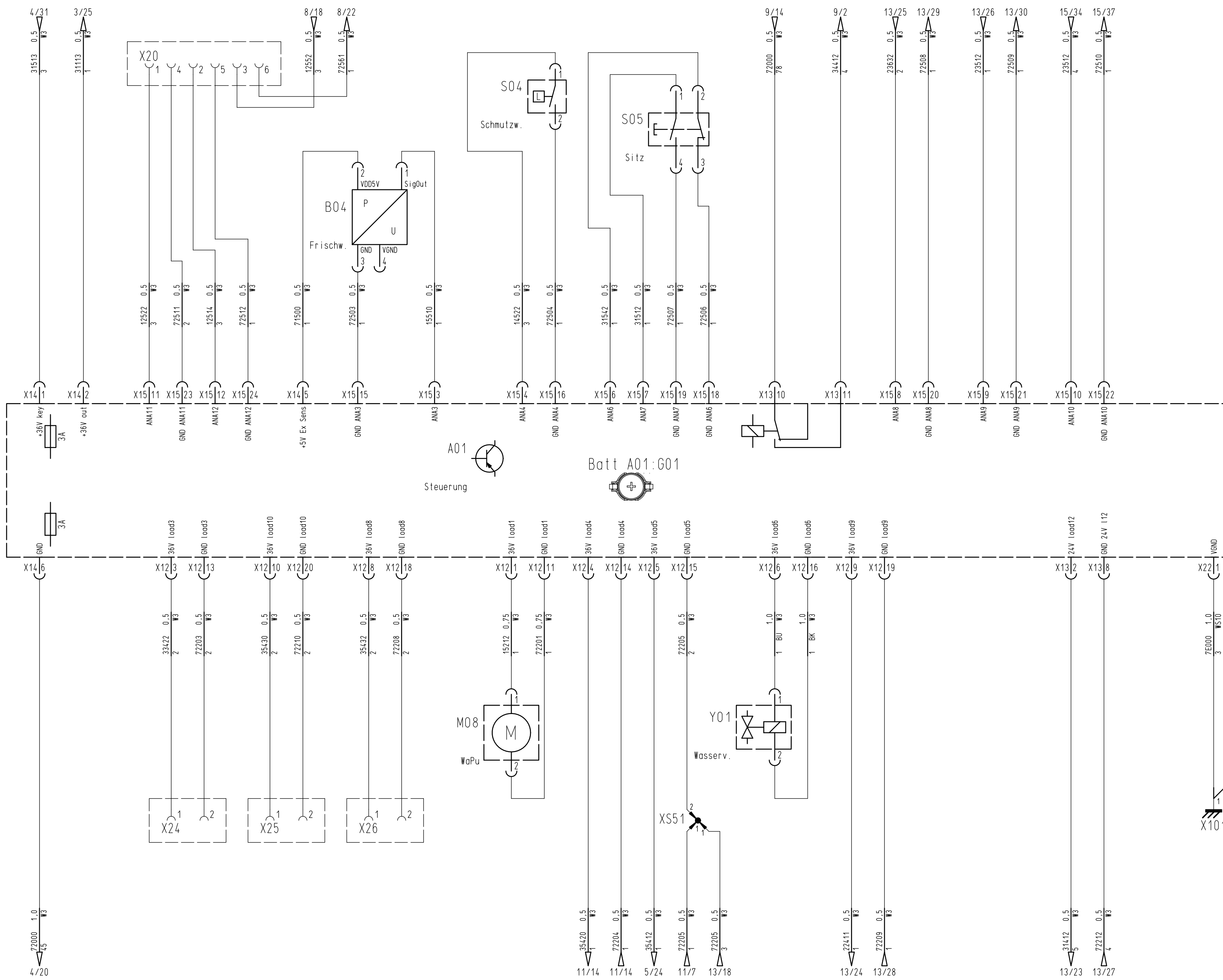




Legende

- A01 Maschinensteuerung
machine controller
- A02 Bedienfeld
touch panel
- C01 Entstörkondensator
suppressor capacitor front drive
- H01 Hupe
horn
- V01 Freilaufdiode
recovery diode
- X97 4-pol. USB
4-pol. USB
- X100 VGND M6 Bolzen
VGND M6 bolt
- XS34 Splice
splice
- XS35 Splice
splice
- XS36 USSP
ussp
- XS37 USSP
ussp
- XS38 USSP
ussp
- XS39 USSP
ussp
- XS40 USSP
ussp
- XS41 USSP
ussp
- XS42 USSP
ussp
- XS46 USSP
ussp
- XS47 USSP
ussp
- XS48 USSP
ussp
- XS50 USSP
ussp

Integrated acc. 4070-30		06.05.19	Ri	2017	Date	Name	B260 R	Name	 Hako GmbH D-23840 Bad Oldesloe	Drawing Number		
No. Number appears		Change No.	Date	Name	Standard	Change No.	0000-05	Schaltplan B260 R / circuit diagram B260 R		91039289		
For this drawing we reserve all rights (acc. DIN ISO 16016)								KAB1 470	Type 7436	Dep. DS	No. of Sh. 15	Sheet 5



- ### Legende
- A01 Maschinensteuerung
machine controller
 - B04 Frischwassersensor
fresh water sensor
 - M08 Wasserpumpe
waterpump
 - S04 Schmutzwasserschalter
dirty water switch
 - S05 Sitzkontaktschalter
seat contact switch
 - X20 6-pol. Mini-Fit Jr.
6-pol. Mini-Fit Jr.
 - X24 2-pol. Microfit
2-pol. Microfit
 - X25 2-pol. Mini-Fit Jr.
2-pol. Mini-Fit Jr.
 - X26 2-pol. Mini-Fit Jr.
2-pol. Mini-Fit Jr.
 - X101 VGND M6 Bolzen
VGND M6 bolt
 - XS51 USSP
ussp
 - Y01 Wasserventil
watervalve

Integrated acc.		4070-30	06.05.19	Ri	2017	Date	Name	B260 R	Name	Schaltplan B260 R / circuit diagram B260 R	 Hako GmbH D-23840 Bad Oldesloe	Drawing Number							
No. Number appears		Change No.	Date	Name	Standard	18.03.	Ri	Replacem. for	For this drawing we reserve all rights (acc. DIN ISO 16016)			KAB1 470	Type 7436	Dep. DS	No. of Sh. 15				
Change No.		Date		Name		Standard		Change No. 0000-05		KAB1 470		Type 7436		Dep. DS		No. of Sh. 15		Sheet 6	

91039289

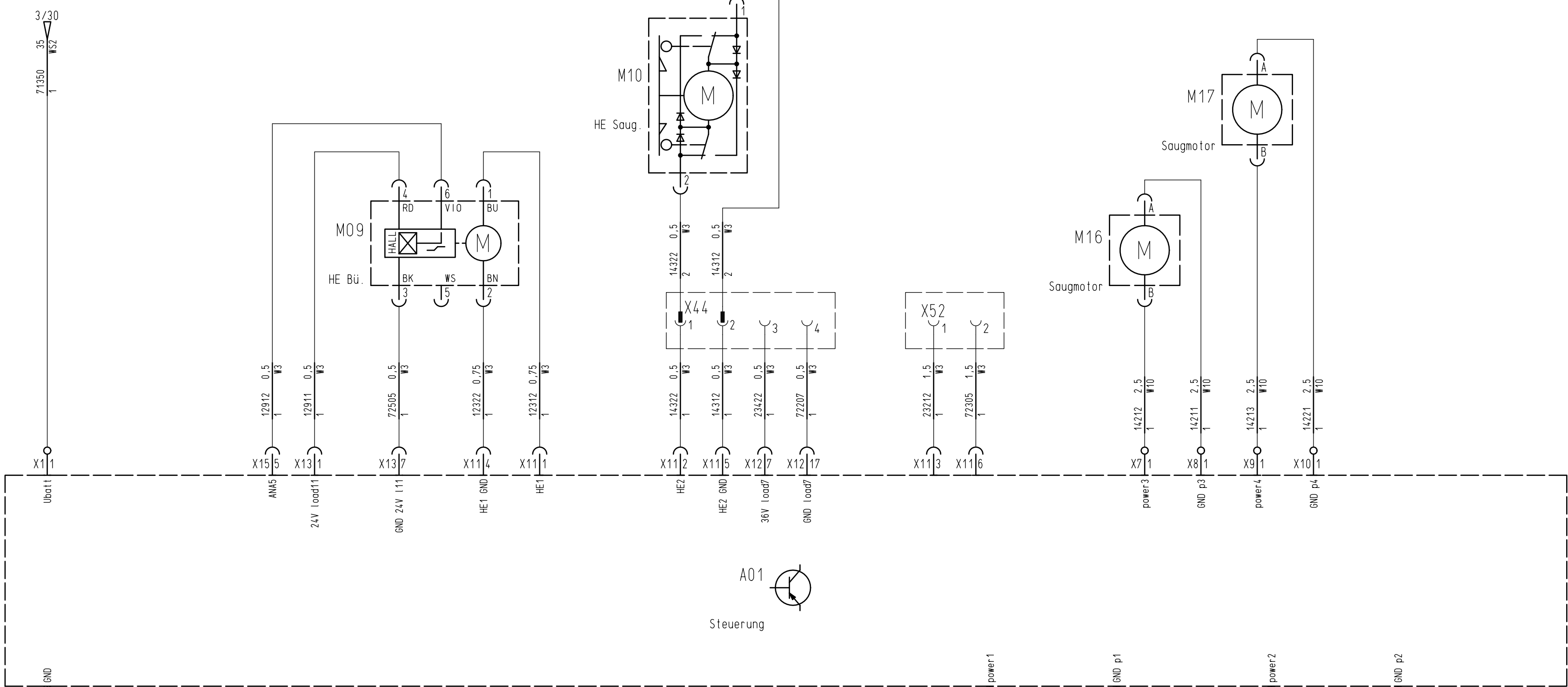


Hako GmbH
D-23840 Bad Oldesloe

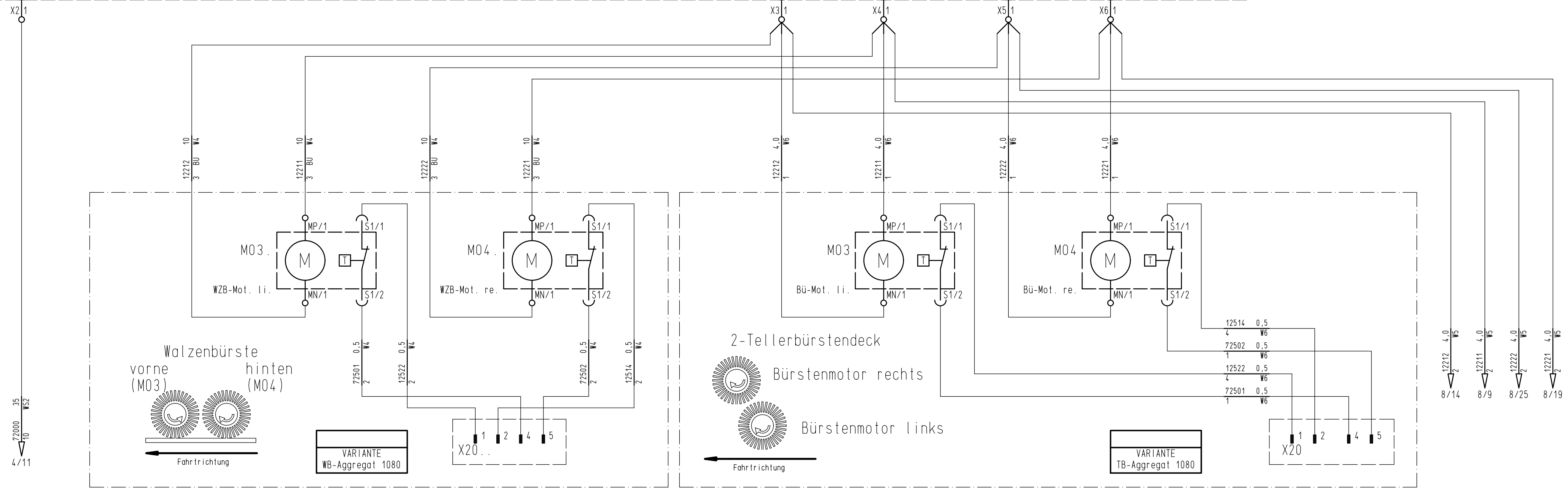
Drawing Number

91039289

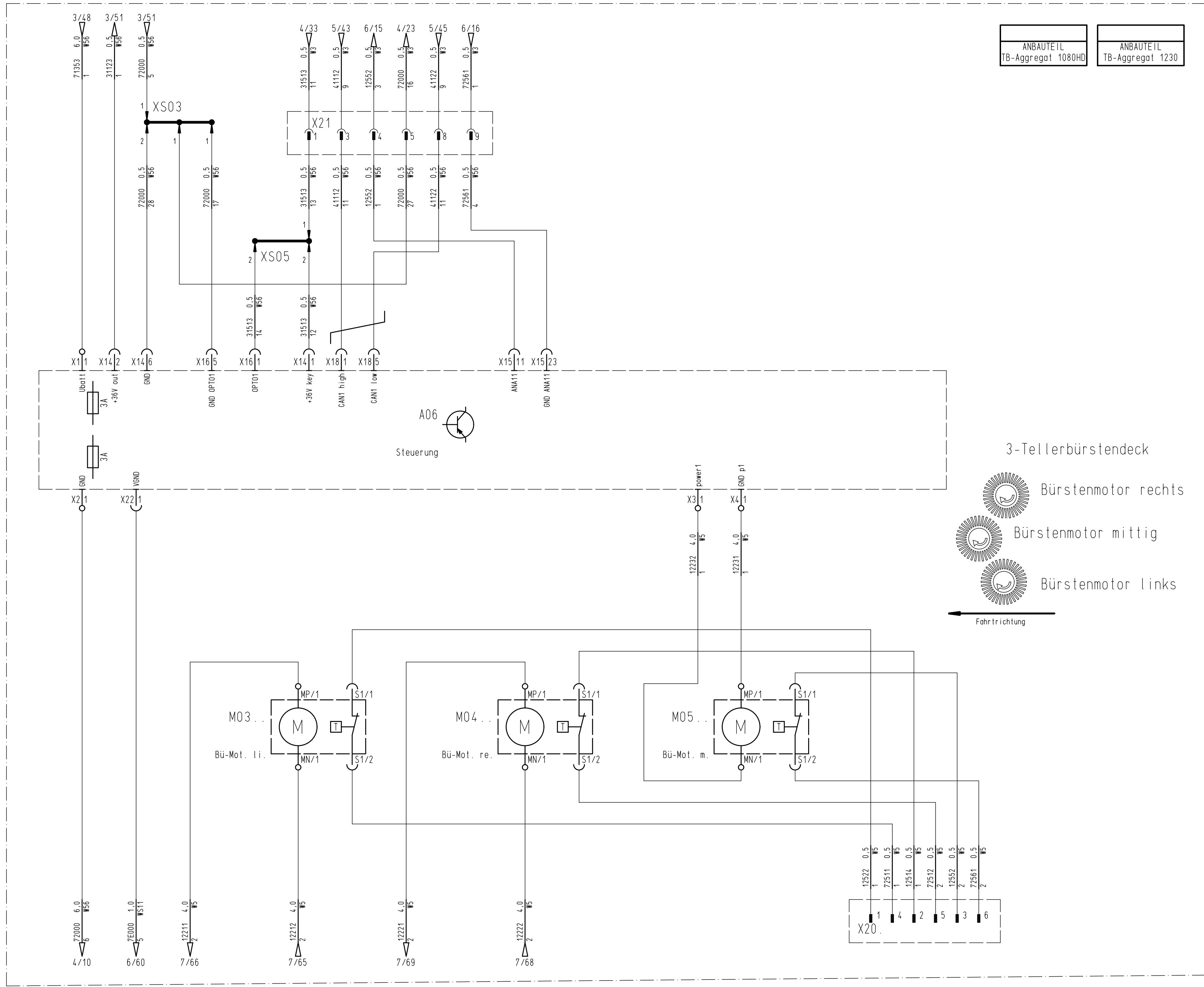
No. of Sh. 15 Sheet 6



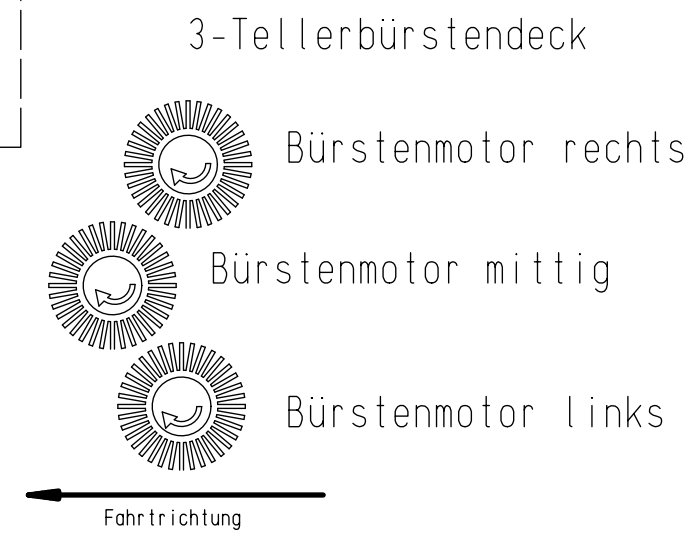
- ### Legende
- A01 Maschinensteuerung
machine controller
 - M03 Bürstenmotor links (Tellerbürste)
brush motor left (plate brush)
 - M03. Bürstenmotor links (Walzenbürste)
brush motor left (cylindrical brush)
 - M04 Bürstenmotor rechts (Tellerbürste)
brush motor right (plate brush)
 - M04. Bürstenmotor rechts (Walzenbürste)
brush motor right (cylindrical brush)
 - M09 Hubelement Bürstendeck
lifting element brushdeck
 - M10 Hubelement Saugfuß
lifting element squeegee
 - M16 Saugmotor
suction motor
 - M17 Saugmotor
suction motor
 - X20 6-pol. Mini-Fit Jr.
6-pol. Mini-Fit Jr.
 - X20.. 6-pol. Mini-Fit Jr.
6-pol. Mini-Fit Jr.
 - X44 4-pol. Fastin-Faston 6.3
4-pol. Fastin-Faston 6.3
 - X52 2-pol. Fastin-Faston 6.3
2-pol. Fastin-Faston 6.3




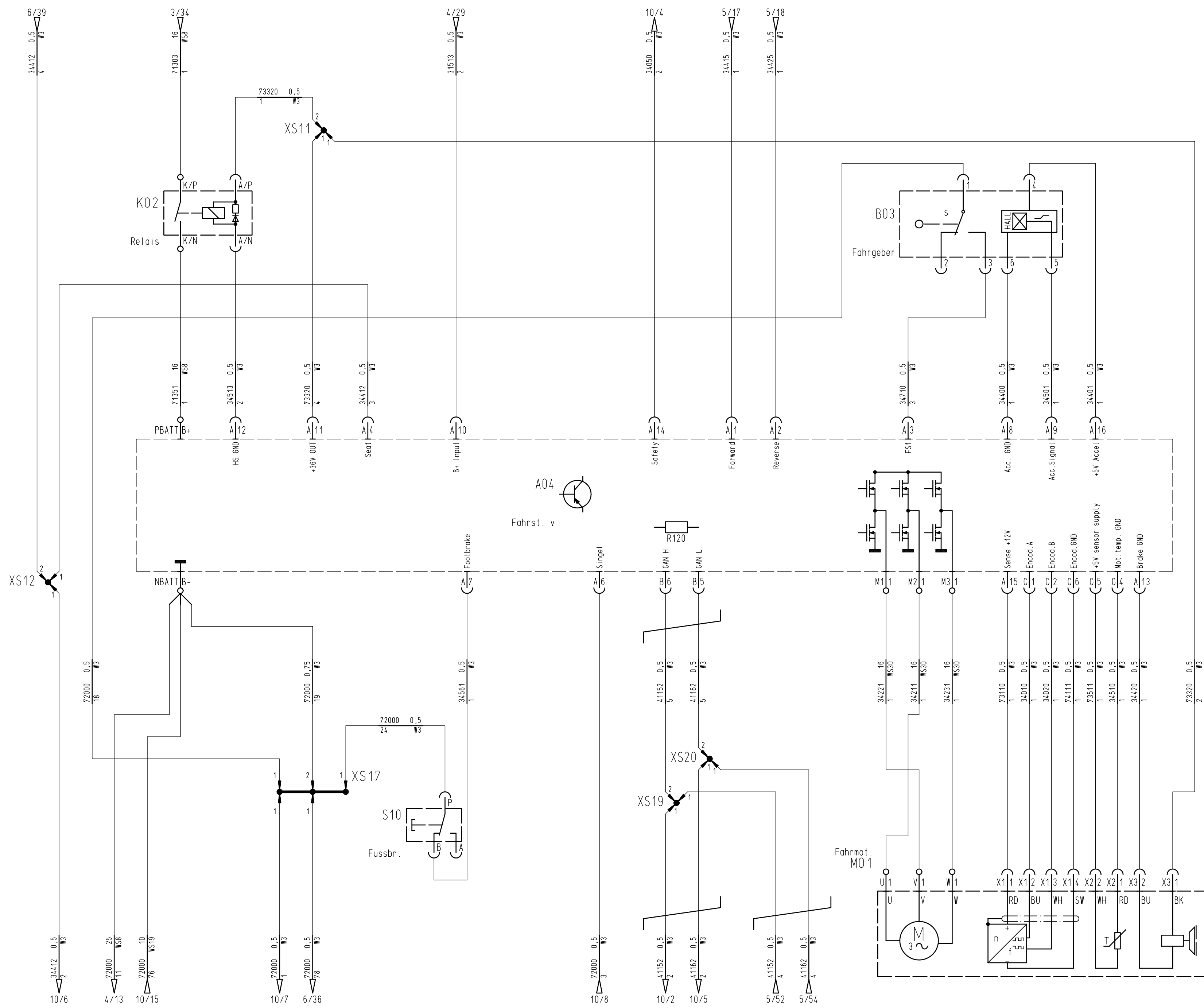
Integrated acc. 4070-30		06.05.19	Ri	2017	Date	Name	B260 R	Name	 Hako GmbH D-23840 Bad Oldesloe	Drawing Number			
No. Number appears		Change No.	Name	Standard	18.03.	Ri	Replacem. for	Schaltplan B260 R / circuit diagram B260 R		91039289			
Change No.		Date	Name	Standard	0000-05		Change No.	For this drawing we reserve all rights (acc. DIN ISO 16016)	KAB1 470	Type 7436	Dep. DS	No. of Sh. 15	Sheet 7



- ### Legende
- A06 Maschinensteuerung Slave
machine controller slave
 - M03.. Bürstenmotor links (Tellerbürste)
brush motor left (plate brush)
 - M04.. Bürstenmotor rechts (Tellerbürste)
brush motor right (plate brush)
 - M05.. ØBMM05
#BMM05
 - X20. 6-pol. Mini-Fit Jr.
6-pol. Mini-Fit Jr.
 - X21 10-pol. Mini-Fit Jr.
10-pol. Mini-Fit Jr.
 - XS03 USSP
ussp
 - XS05 USSP
ussp



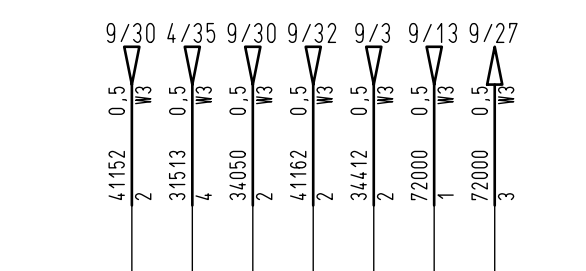
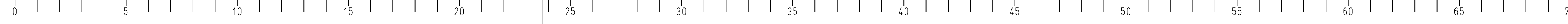
Integrated acc.		4070-30	06.05.19	Ri	2015	Date	Name	B260 R	Name	Schaltplan B260 R / circuit diagram B260 R	 Hako GmbH D-23840 Bad Oldesloe	Drawing Number		
No. Number appears		Change No.	Date	Name	Standard	18.03.	Ri	Replacem. for	For this drawing we reserve all rights (acc. DIN ISO 16016)			KAB1 470	Type 7436	Dep. DS



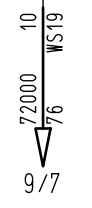
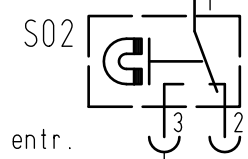
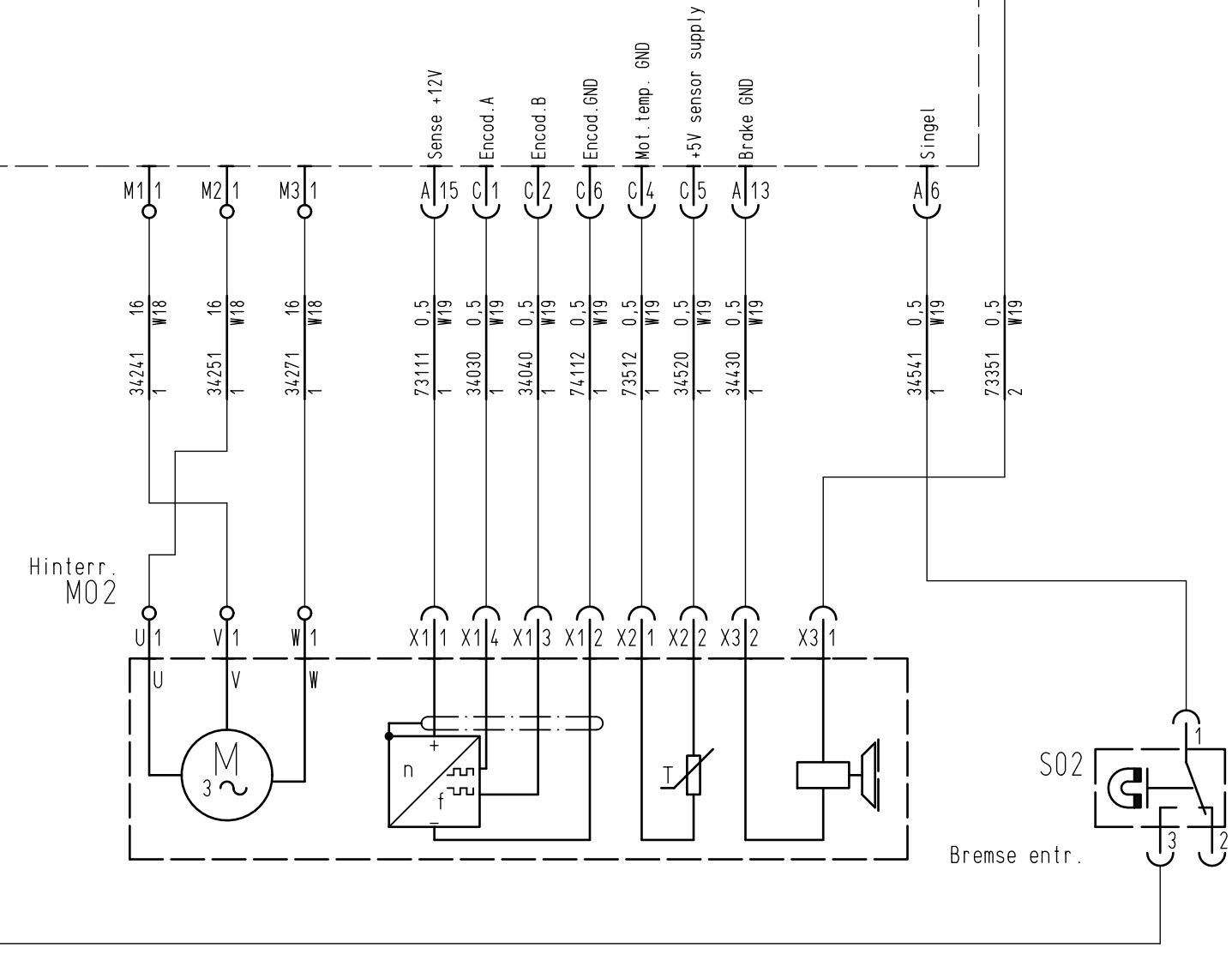
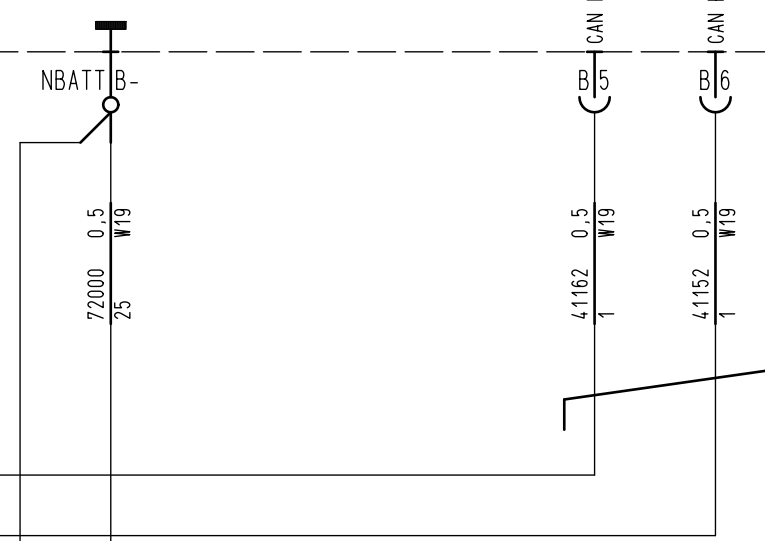
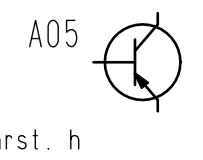
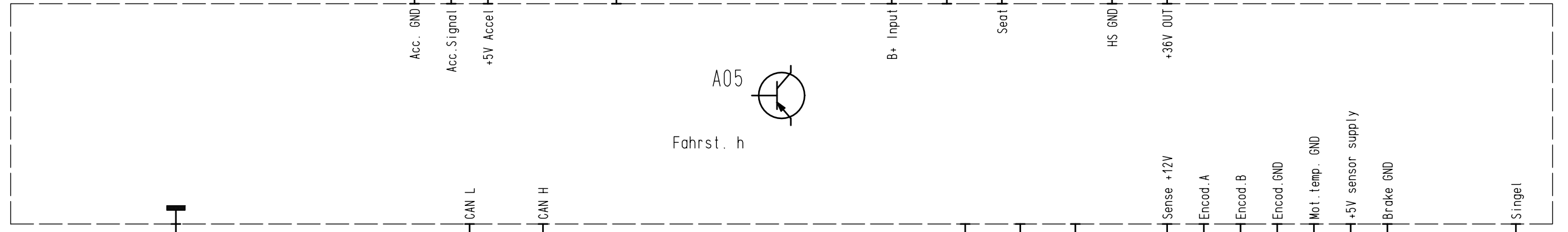
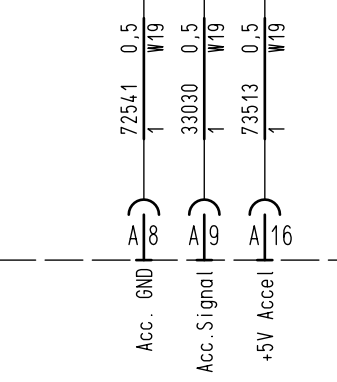
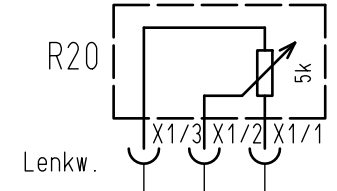
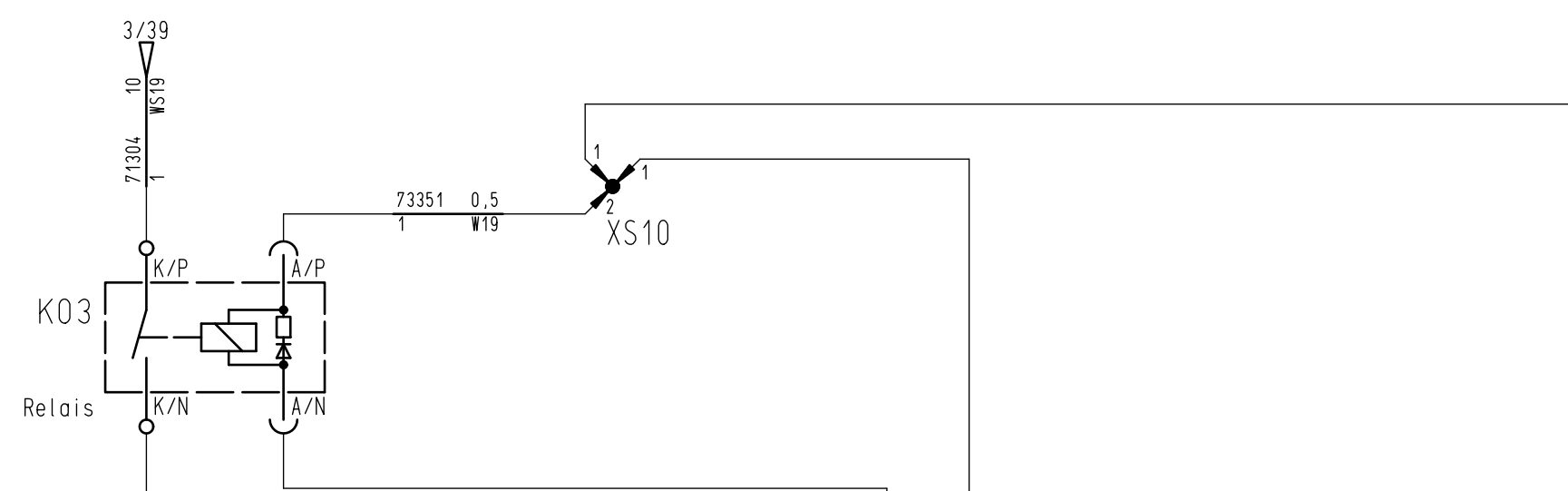
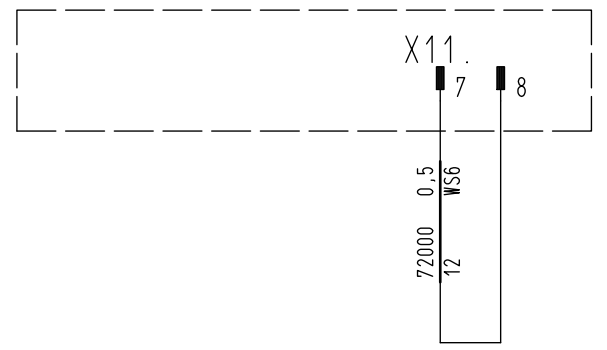
Legende

- A04 Fahrsteuerung Vorderrad
drive controller
- B03 Fahrgeber
accelerator
- K02 Relais 1-pol.
relais 1-pole
- M01 Fahrmotor
drive motor
- S10 Fußbremsschalter
switch foot brake
- XS11 USSP
ussp
- XS12 USSP
ussp
- XS17 USSP
ussp
- XS19 USSP
ussp
- XS20 USSP
ussp

Integrated acc. 4070-30		06.05.19	Ri	2015	Date	Name	B260 R	Name	 Hako GmbH D-23840 Bad Oldesloe	Drawing Number	
No. Number appears		Change No.	Date	Standard	18.03.	Ri	Replacem. for	Schaltplan B260 R / circuit diagram B260 R		91039289	
Change No. 0000-05		For this drawing we reserve all rights (acc. DIN ISO 16016)		KAB1 470		Type 7436	Dep. DS	No. of Sh. 15	Sheet 9		



Kabelsatz WS6: nur Variante Einzelradantrieb
 Kabelbaum W19: nur Variante Allradantrieb
 Kable set WS6: only for single wheel drive
 Wire harness W19: only for all-wheel drive



- ### Legende
- A05 Fahrsteuerung Hinterrad
drive controller
 - K03 Relais 1-pol.
relais 1-pole
 - M02 Hinterradantrieb
drive motor rear
 - R20 Lenkwinkelsensor
sensor steer angel
 - S02 Schalter Bremsüberwachung
switch brake unlock
 - X11 8-pol. Mini-Fit Jr.
8-pol. Mini-Fit Jr.
 - X11. 8-pol. Mini-Fit Jr.
8-pol. Mini-Fit Jr.
 - XS10 USSP
ussp

Integrated acc.		4070-30	06.05.19	Ri	2015	Date	Name	B260 R	Name	Schaltplan B260 R / circuit diagram B260 R	 Hako GmbH D-23840 Bad Oldesloe	Drawing Number			
No. Number appears		Change No.	Date	Name	Standard	18.03.	Ri	Replacem. for	For this drawing we reserve all rights (acc. DIN ISO 16016)			KAB1 470	Type 7436	Dep. DS	No. of Sh. 15
A2								Change No. 0000-05	KAB1 470			Type 7436		Dep. DS	



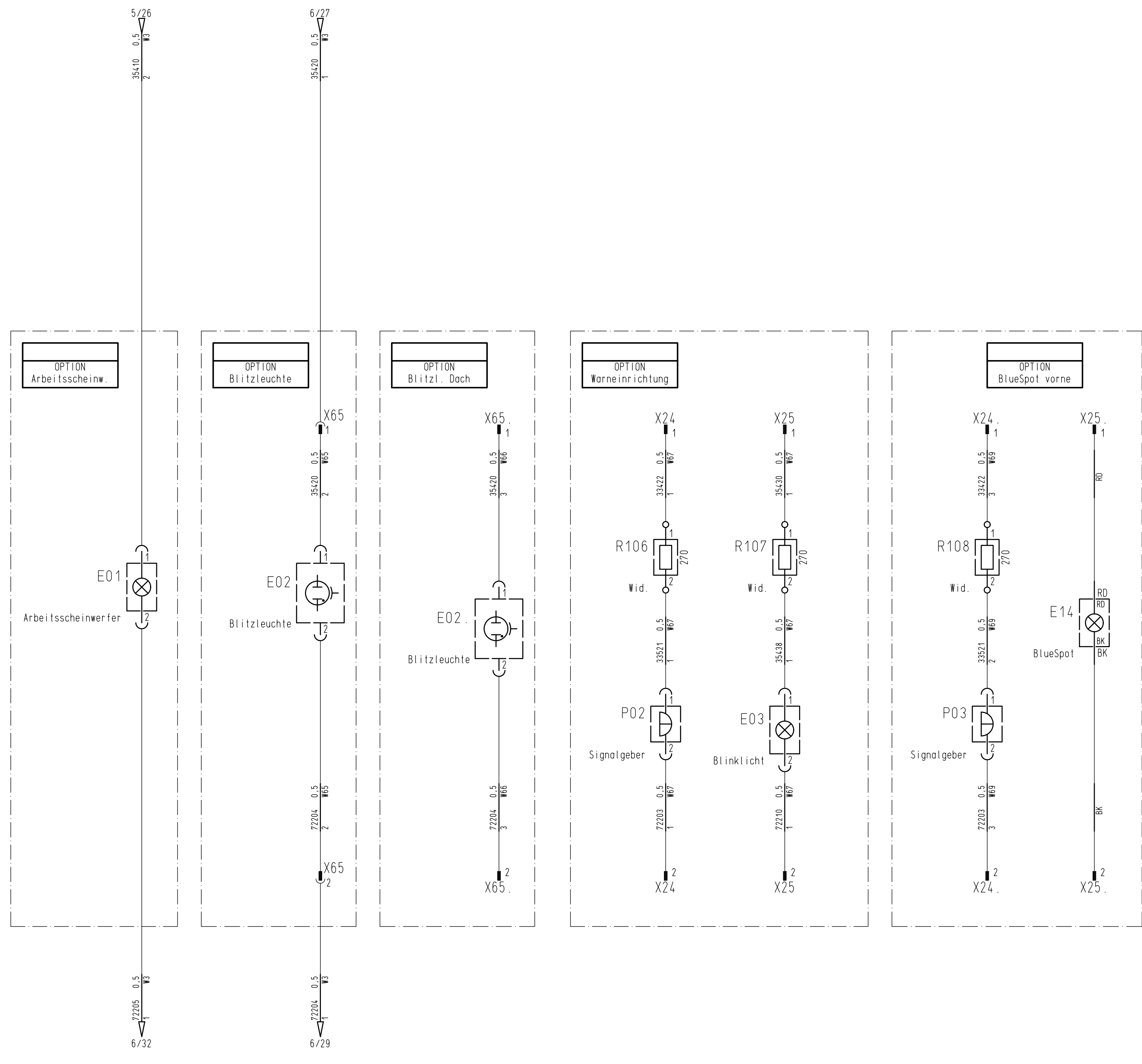
Legende

- E01 Arbeitsscheinwerfer
working headlight
- E02 Blitzleuchte
warning beacon
- E02. Blitzleuchte am Schutzdach
warning beacon on overhead cover
- E03 Blinklicht
warning beacon
- E14 BlueSpot vorne
bluespot front

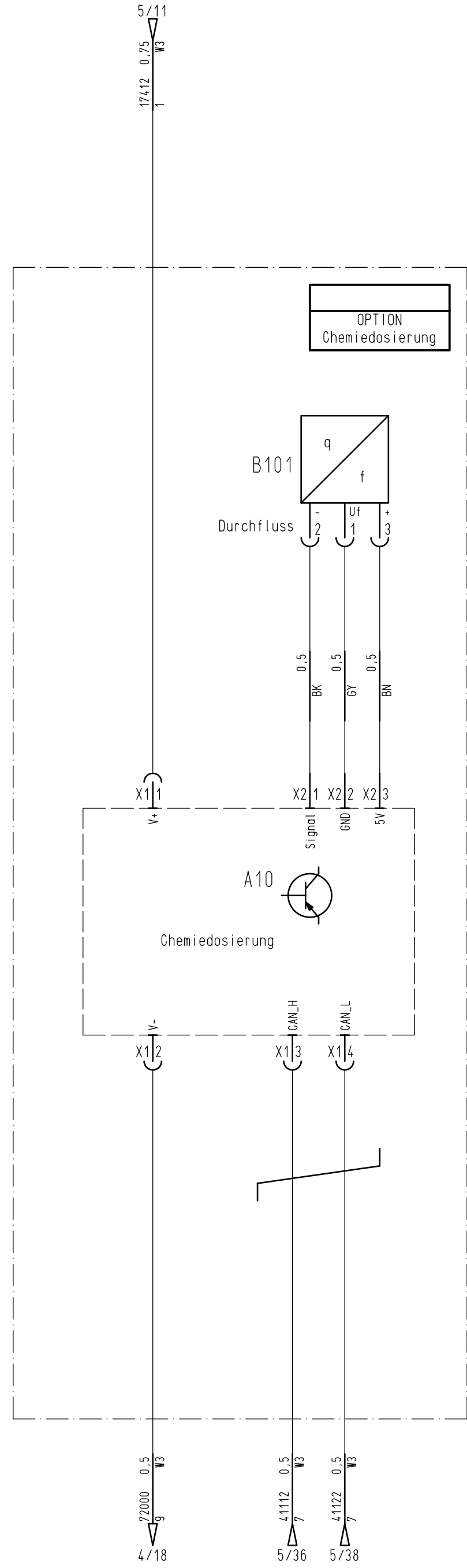
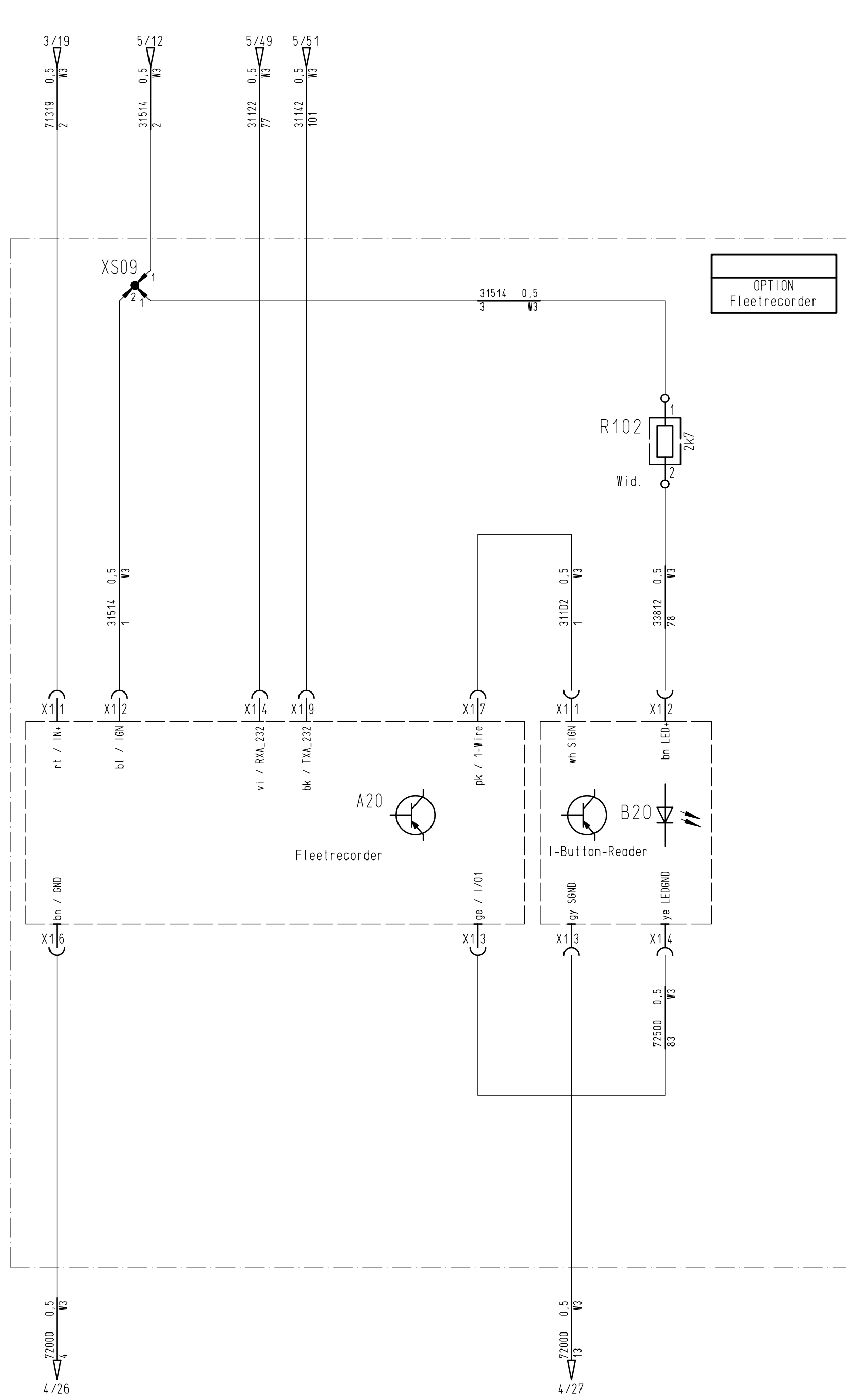
- P02 Signalgeber
buzzer
- P03 Signalgeber
buzzer

- R106 Vorwiderstand 270R
resistor 270R
- R107 Vorwiderstand 270R
resistor 270R
- R108 Vorwiderstand 270R
resistor 270R

- X24 2-pol. Microfit
2-pol. Microfit
- X24. 2-pol. Microfit
2-pol. Microfit
- X25 2-pol. Mini-Fit Jr.
2-pol. Mini-Fit Jr.
- X25. 2-pol. Mini-Fit Jr.
2-pol. Mini-Fit Jr.
- X65 2-pol. AMP Super-Seal
2-pol. AMP Super-Seal
- X65. 2-pol. AMP Super-Seal
2-pol. AMP Super-Seal



Integrated acc.		4070-30	06.05.19	Ri	2015	Date	Name	B260 R	Name	 Hako GmbH D-23840 Bad Oldesloe	Drawing Number		
No. Number appears		Change No.	Date	Name	Standard	18.03.	Ri	Replacem. for	Schaltplan B260 R / circuit diagram B260 R		91039289		
Change No.		Date		Name		Standard		Change No.	0000-05	For this drawing we reserve all rights (acc. DIN ISO 16016)		No. of Sh. 15	
										KAB1 470	Type 7436	Dep. DS	Sheet 11



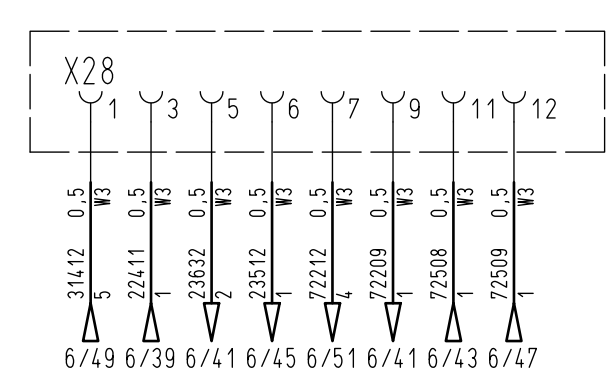
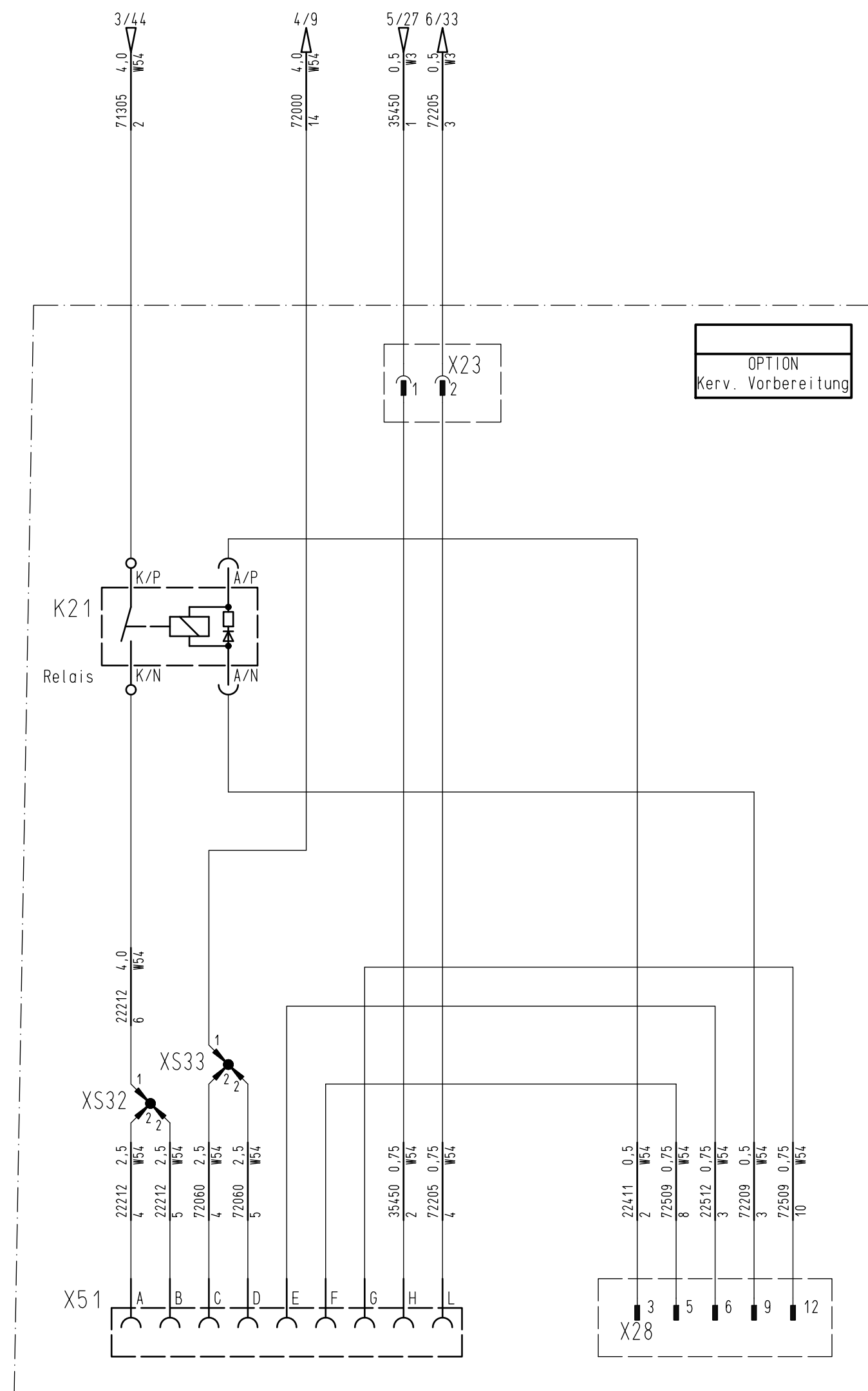
Legende

- A10 Chemiepumpensteuerung
chemical pump controller
- A20 Fleetrecorder
fleetrecorder
- B20 I-Button-Reader
i-button-reader
- B101 Durchflussmesser
flow sensor
- R102 Vorwiderstand 2k7
resistor 2k7
- XS09 USSP
ussp

Integrated acc.		4070-30	06.05.19	Ri	2017	Date	Name	B260 R	Name	 Hako GmbH D-23840 Bad Oldesloe	Drawing Number			
No. Number appears		Change No.	Date	Name	Standard	24.07.	Ri	Replacem. for	Schaltplan B260 R / circuit diagram B260 R		91039289			
								Change No. 0000-05	For this drawing we reserve all rights (acc. DIN ISO 16016)		KAB1 470	Type 7436	Dep. DS	No. of Sh. 18

Legende

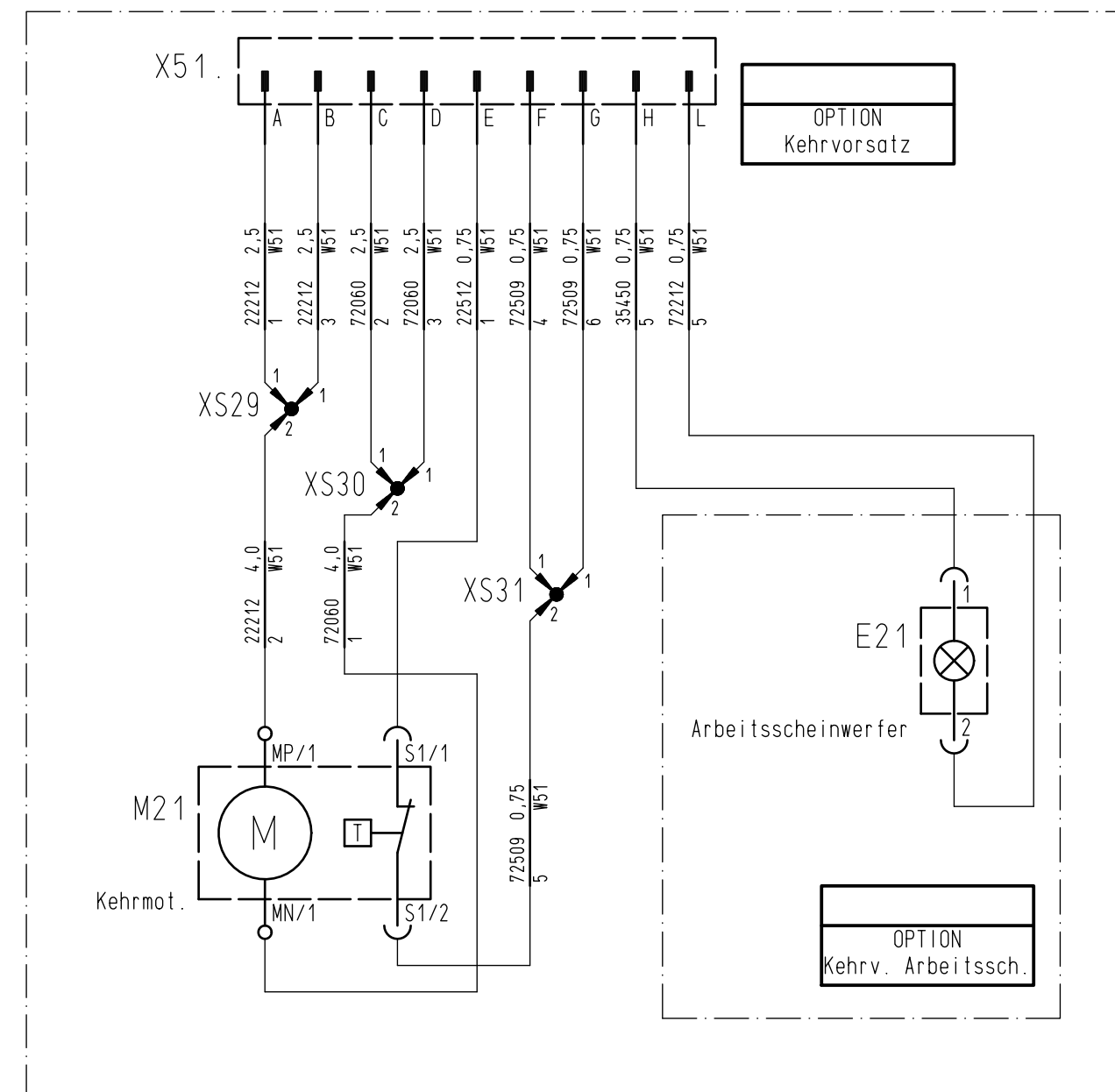
- K21 Relais 1-pol. Kehrmotor
relais 1-pole sweepmotor
- X23 2-pol. Mini-Fit Jr.
2-pol. Mini-Fit Jr.
- X28 12-pol. Mini-Fit Jr.
12-pol. Mini-Fit Jr.
- X51 9-pol. Amphenol
9-pol. Amphenol
- XS32 USSP
ussp
- XS33 USSP
ussp



Integrated acc.		4070-30	06.05.19	Ri	2017	Date	Name	B260 R	Name	Schaltplan B260 R / circuit diagram B260 R	 Hako GmbH D-23840 Bad Oldesloe	Drawing Number		
No. Number appears		Change No.	Date	Name	Standard	24.07.	Ri	Replacem. for	For this drawing we reserve all rights (acc. DIN ISO 16016)			KABI 470	Type 7436	Dep. DS
								Change No. 0000-05						

Legende

- E21 Arbeitsscheinwerfer Kehrv.
working headlight
- M21 Kehrmotor
Swepp motor
- X51. 9-pol. Amphenol
9-pol. Amphenol
- XS29 USSP
ussp
- XS30 USSP
ussp
- XS31 USSP
ussp



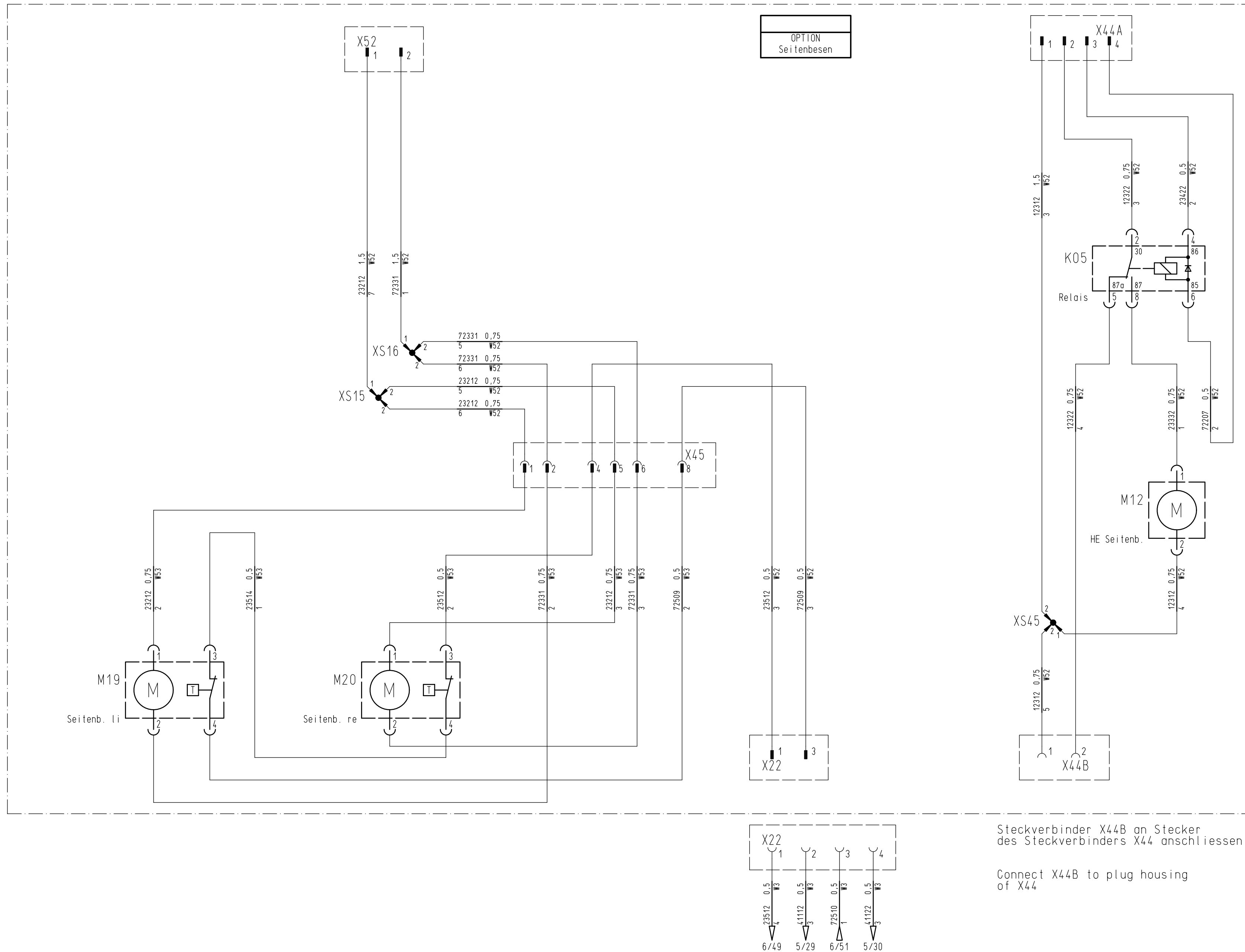
Integrated acc.		4070-30	06.05.19	Ri	2017	Date	Name	B260 R	Name	Schaltplan B260 R / circuit diagram B260 R	 Hako GmbH D-23840 Bad Odesloe	Drawing Number			
No. Number appears		Change No.	Date	Name	Standard	24.07.	Ri	Replacem. for	0000-05			For this drawing we reserve all rights (acc. DIN ISO 16016)	KAB1 470	Type 7436	Dep. DS

Steckverbinder X44A an Buchse des Steckverbinders X44 anschliessen

Connect X44A to socket housing of X44

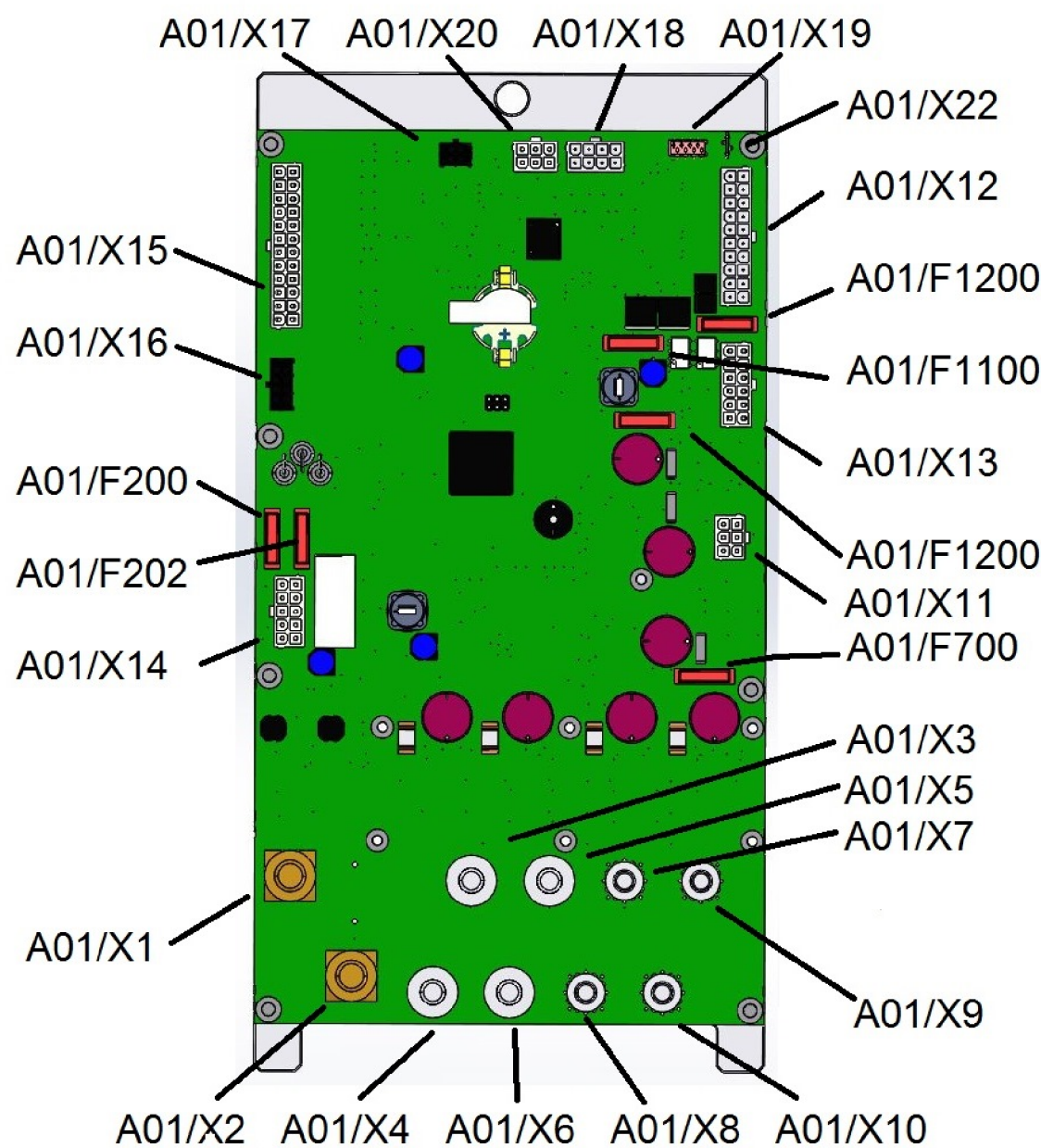
Legende

- K05 Rel. Ausheb. Seitenb.
rel. actuator sidebr.
- M12 Hubelement Seitenbesenanlage
lifting element side brush deck
- M19 Seitenbesenmotor links
sidebroom left
- M20 Seitenbesenmotor rechts
sidebroom right
- X22 4-pol. Mini-Fit Jr.
4-pol. Mini-Fit Jr.
- X44A 4-pol. Fastin-Faston 6.3
4-pol. Fastin-Faston 6.3
- X44B 4-pol. Fastin-Faston 6.3
4-pol. Fastin-Faston 6.3
- X45 8-pol. Mini-Fit Jr.
8-pol. Mini-Fit Jr.
- X52 2-pol. Fastin-Faston 6.3
2-pol. Fastin-Faston 6.3
- XS15 USSP
ussp
- XS16 USSP
ussp
- XS45 USSP
ussp

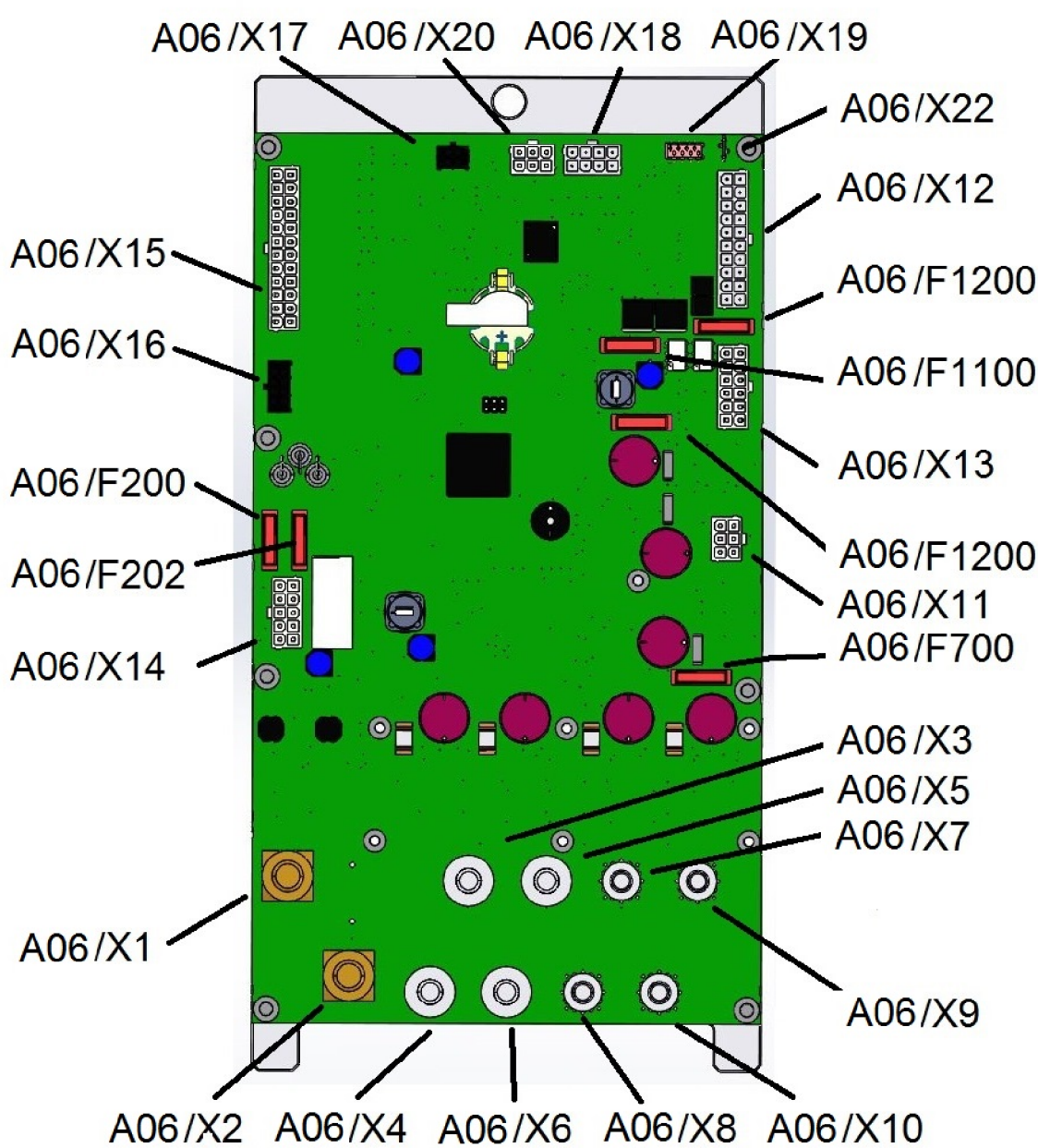


A2	No. Number appears	Change No.	Date	Name	Standard	2017 Date	Name Ri	B260 R	Name	 Hako GmbH D-23840 Bad Oldesloe	Drawing Number 91039289			
	Integrated acc. 4070-30		06.05.19	Ri		24.07.	Ri	Replacem. for	Schaltplan B260 R / circuit diagram B260 R		For this drawing we reserve all rights (acc. DIN ISO 16016)		No. of Sh. 18	Sheet 15
										KABI 470	Type 7436	Dep. DS	No. of Sh. 18	Sheet 15

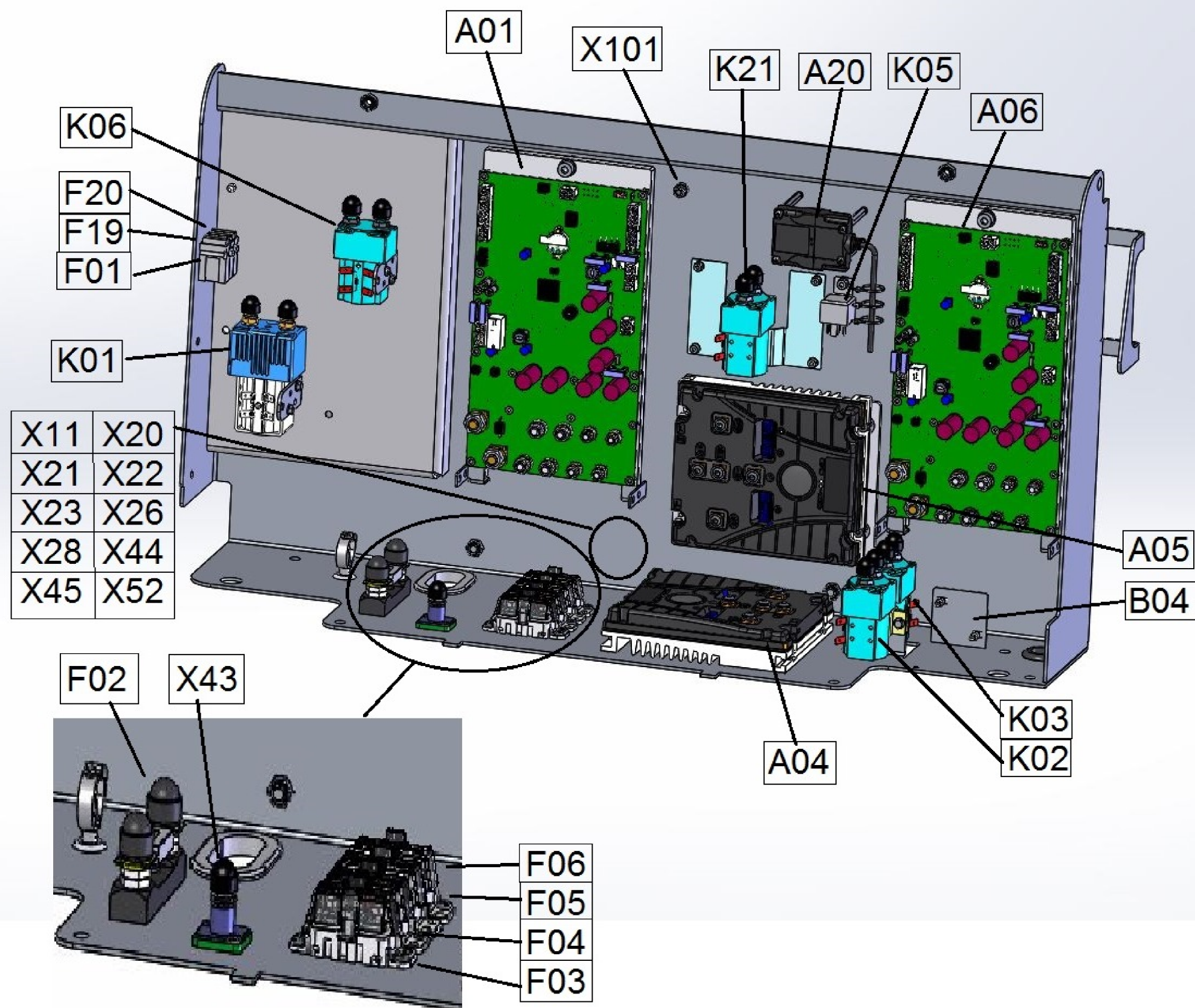
A01: Maschinensteuerung
A01: machine controller



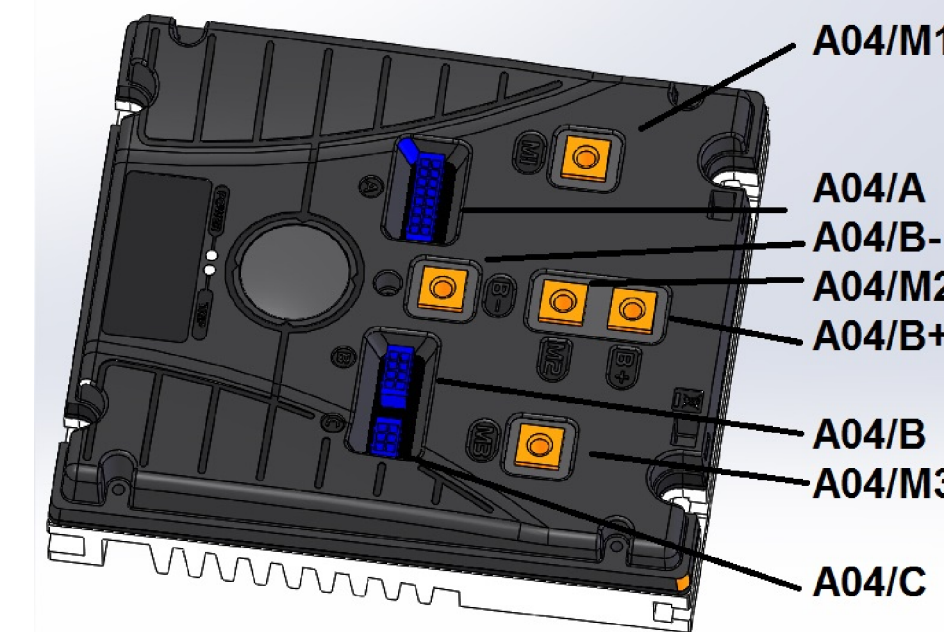
A06: Maschinensteuerung Slave
A06: machine controller slave



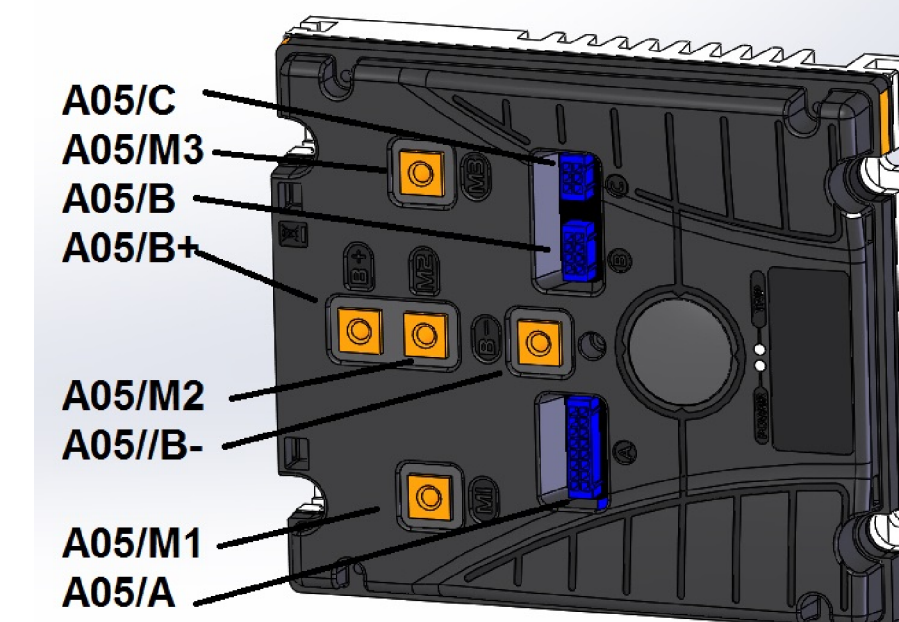
Elektronikraum
electronic space



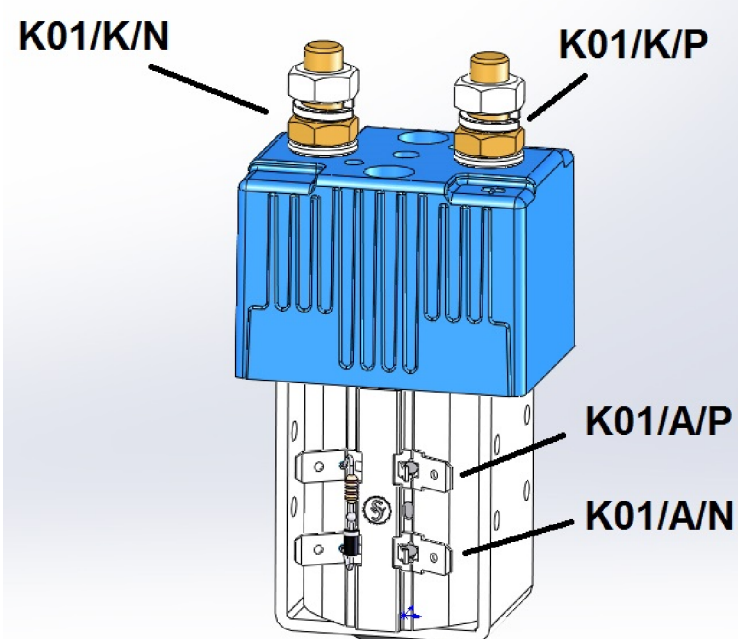
A04: Fahrsteuerung Vorderrantrieb
A04: drive controller front drive



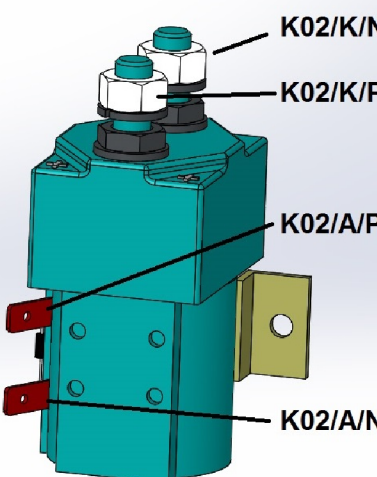
A05: Fahrsteuerung Hinterradantrieb
A05: drive controller rear wheel drive



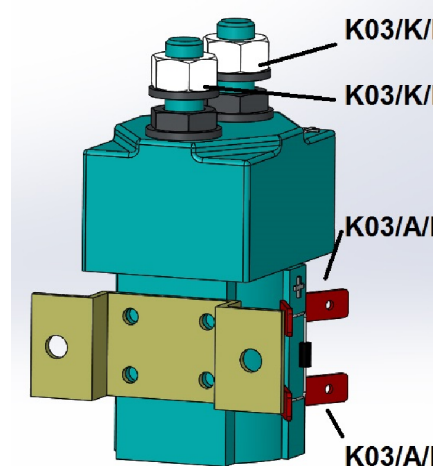
K01: Relais
K01: relay



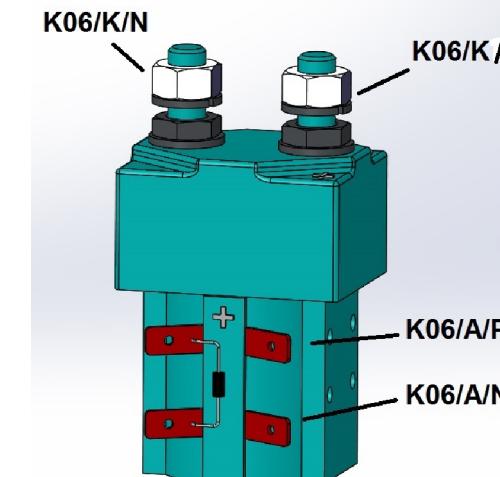
K02: Relais
K02: relay



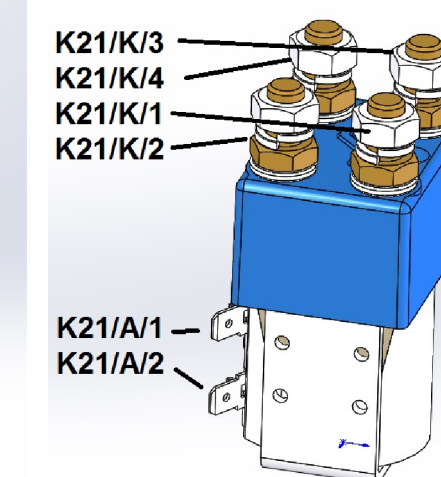
K03: Relais
K03: relay



K06: Relais
K06: relay

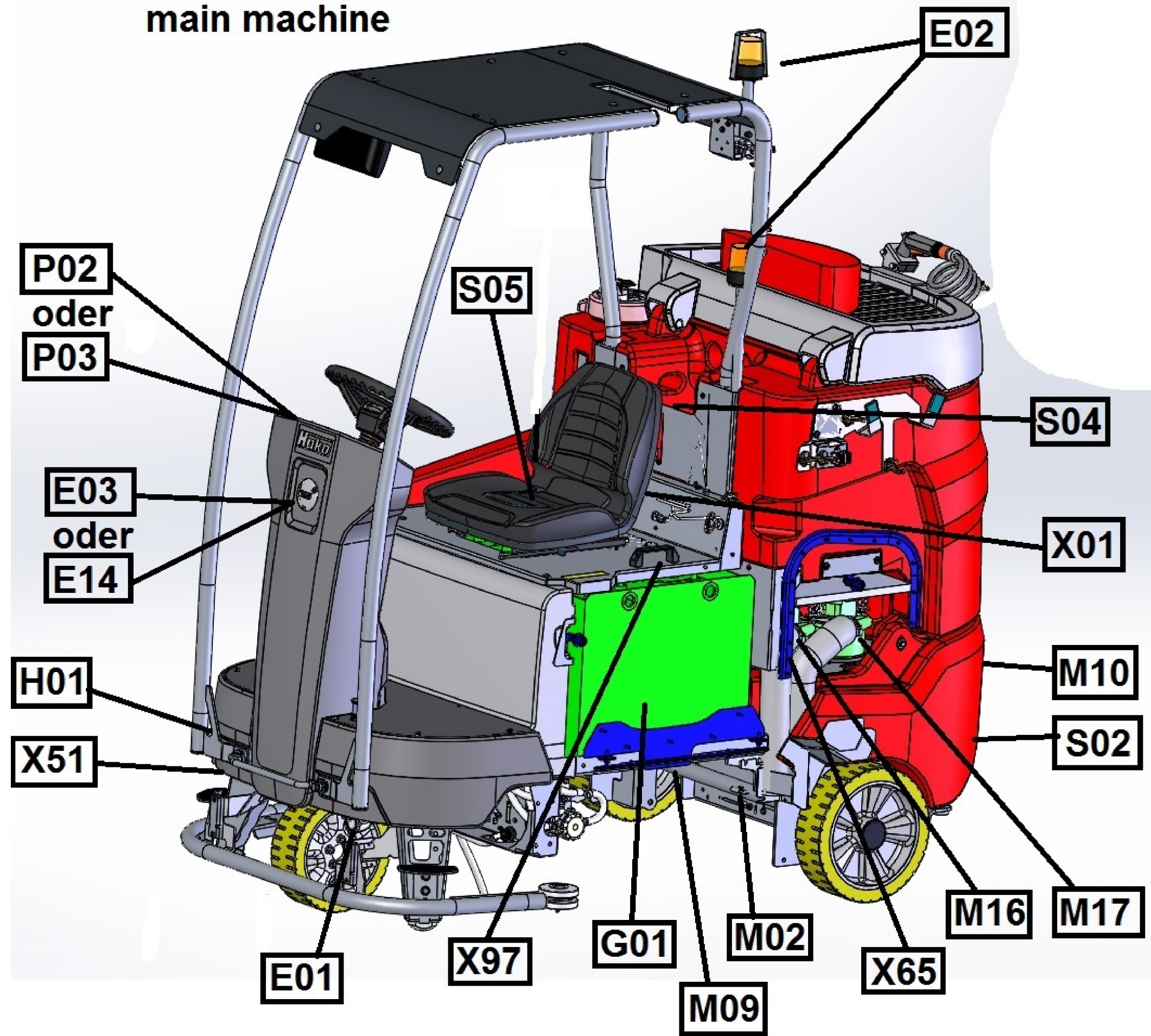


K21: Relais Kehr-Saugvorsatz
K21: relay sweeping suction attachment

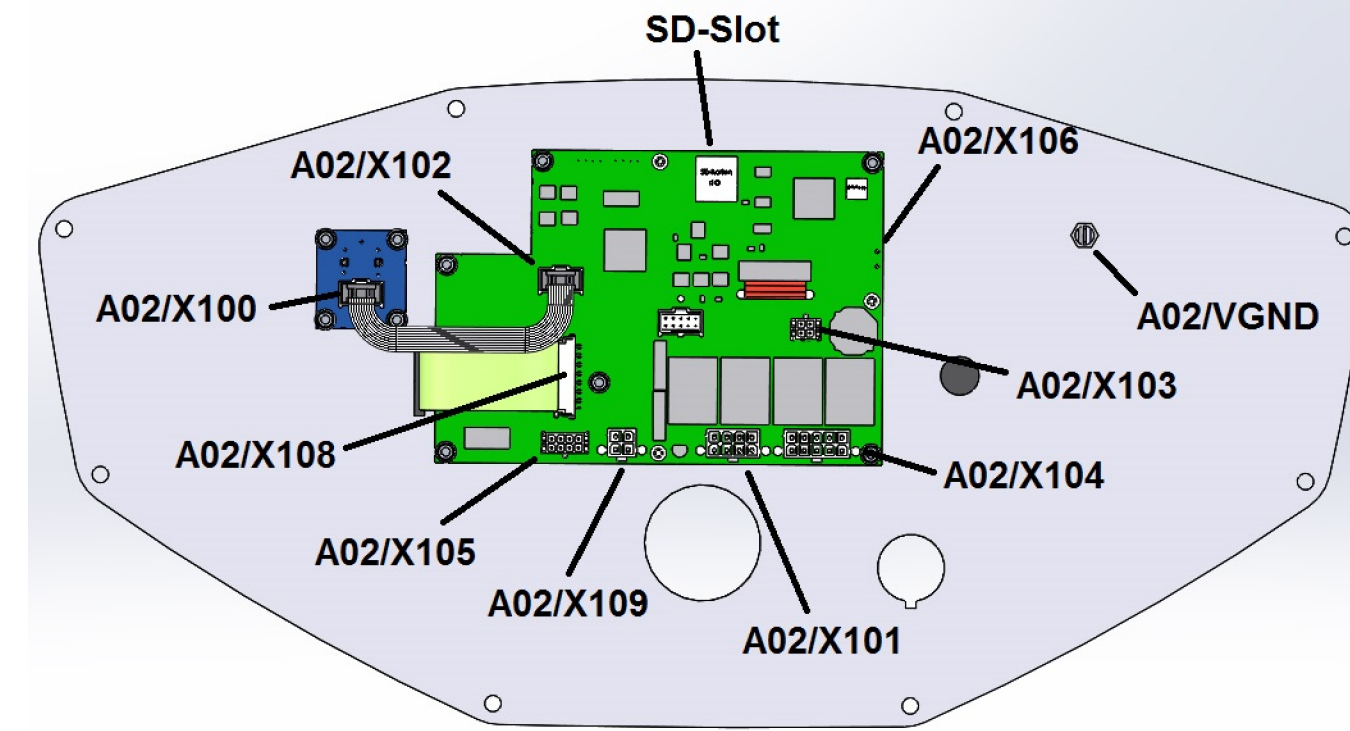


Integrated acc.		4070-30	06.05.19	Ri	2017	Date	Name	B260 R	Name	Schaltplan B260 R / circuit diagram B260 R	Hako Hako GmbH D-23840 Bad Odesloe	Drawing Number 91039289	
A2	No. Number appears	Change No.	Date	Name	Standard	Drawn by	Verified	Replacem. for	For this drawing we reserve all rights (acc. DIN ISO 16016)				
								Change No. 0000-05	KAB1 470	Type 7436	Dep. DS	No. of Sh. 18	Sheet 16

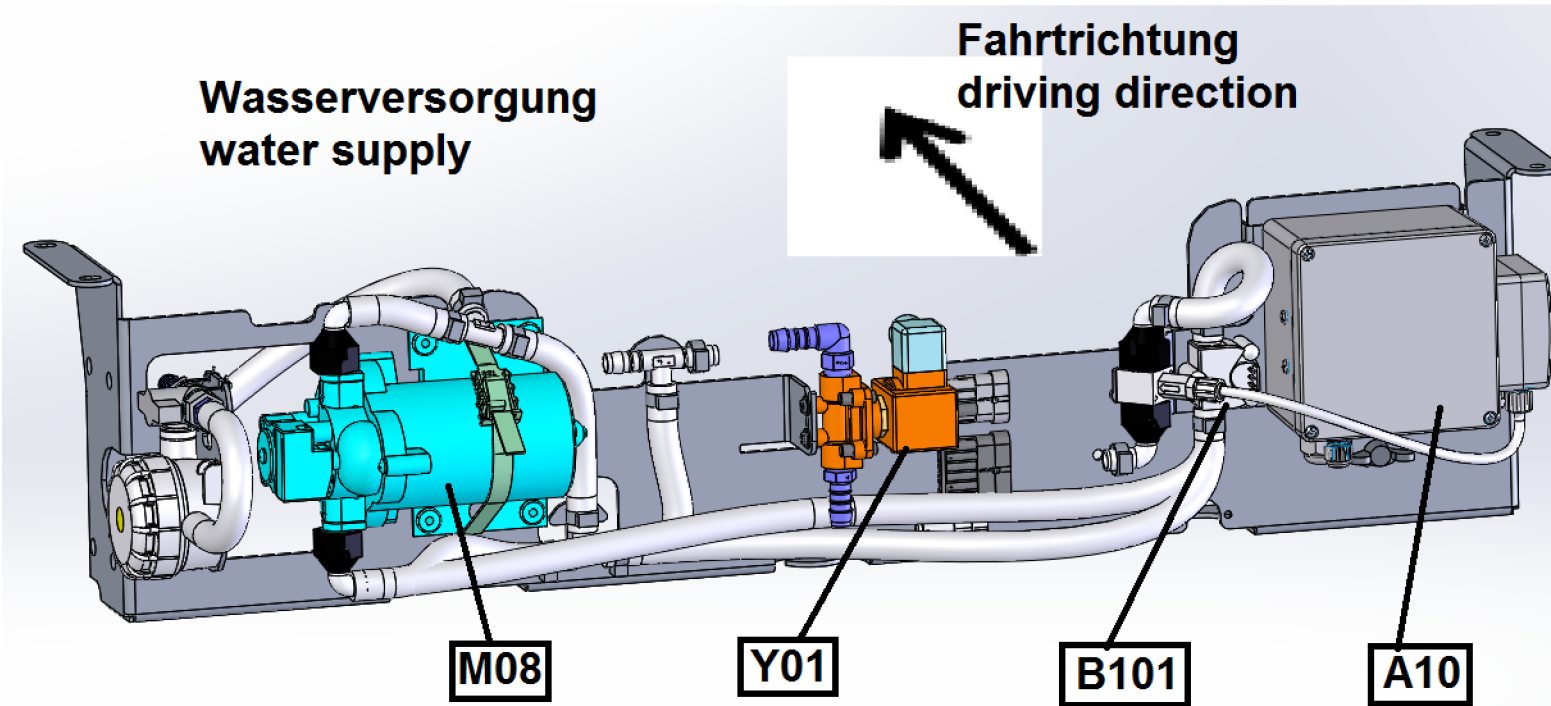
Gesamtmaschine main machine



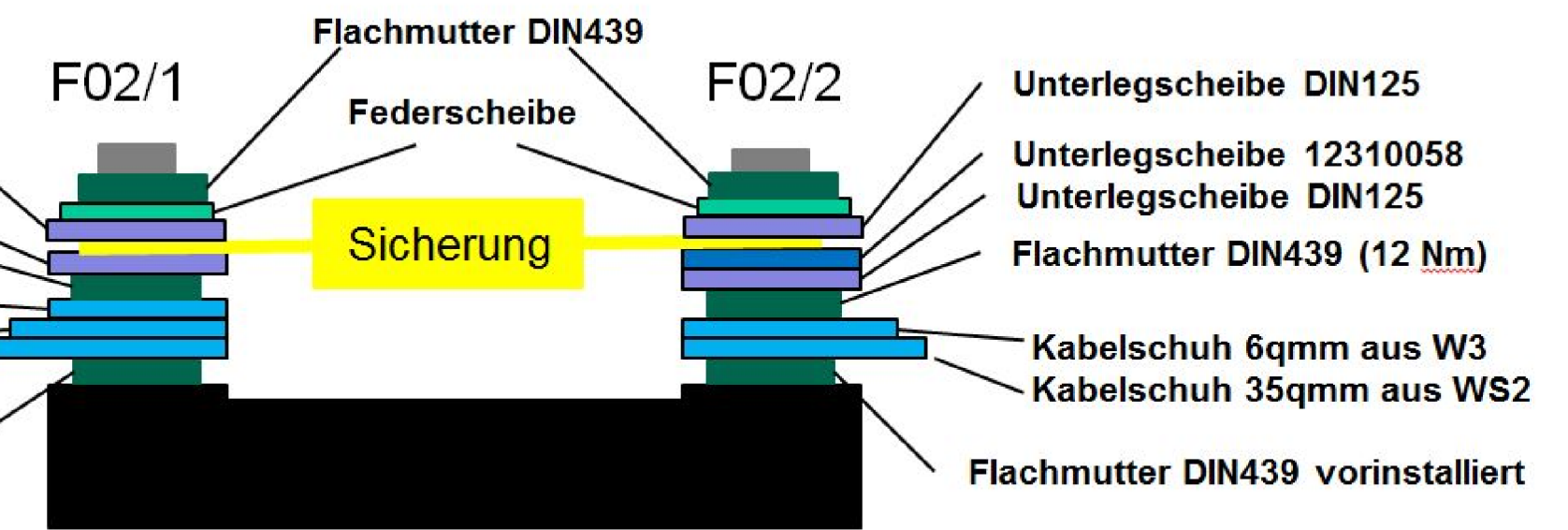
A02: Bedienfeld (Blick auf Platine)
A02: control panel (view of the board)




Installation F02

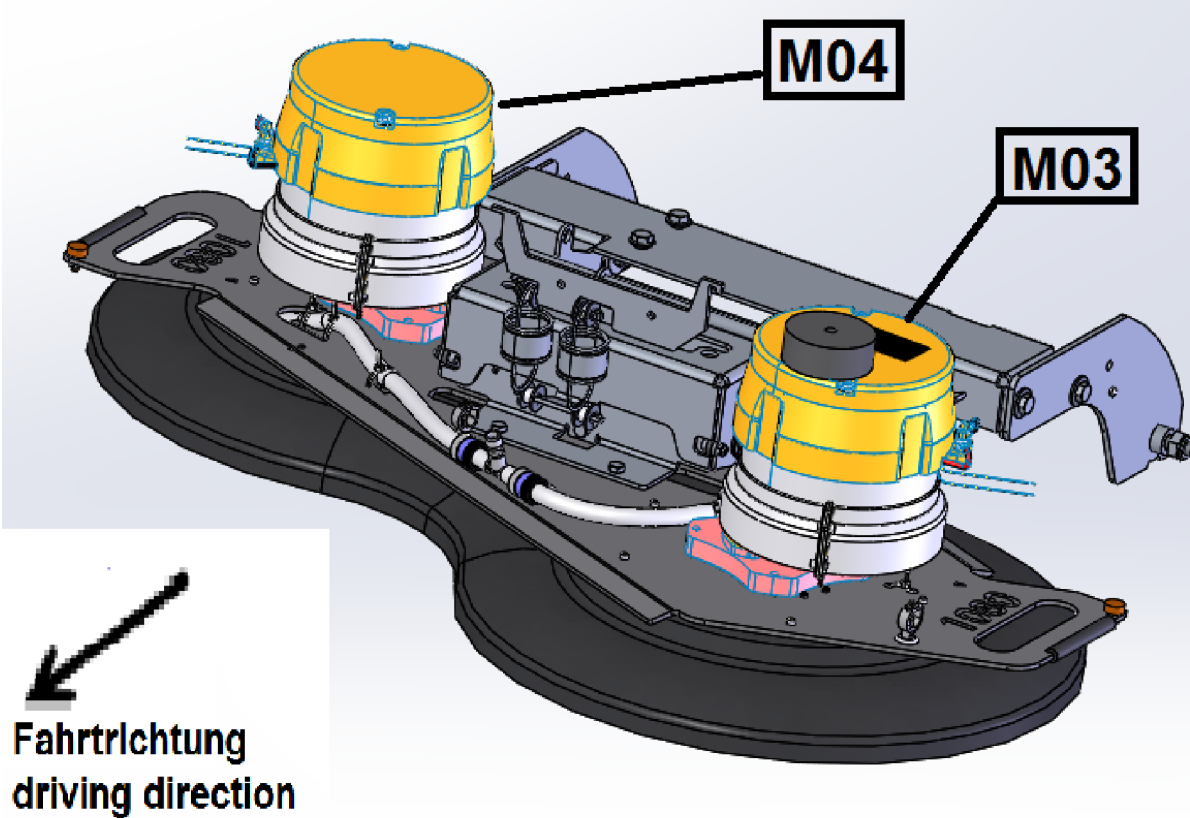


- Unterlegscheibe DIN125
- Unterlegscheibe DIN125
- Flachmutter DIN439 (12 Nm)
- Kabelschuh 25qmm aus WS8 (optional)
- Kabelschuh 25qmm aus WS8
- Kabelschuh 70qmm aus W1
- Flachmutter DIN439 vorinstalliert

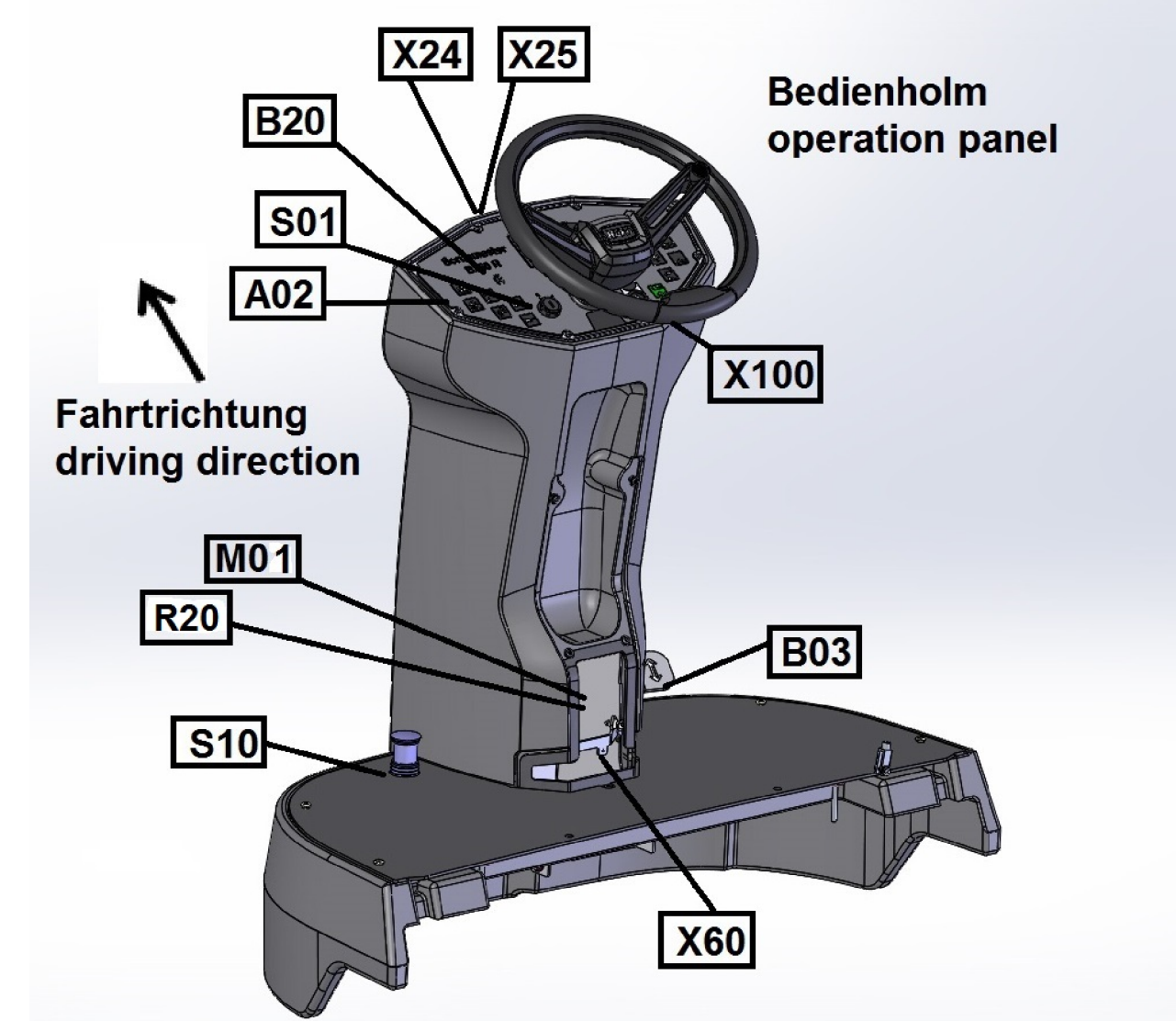
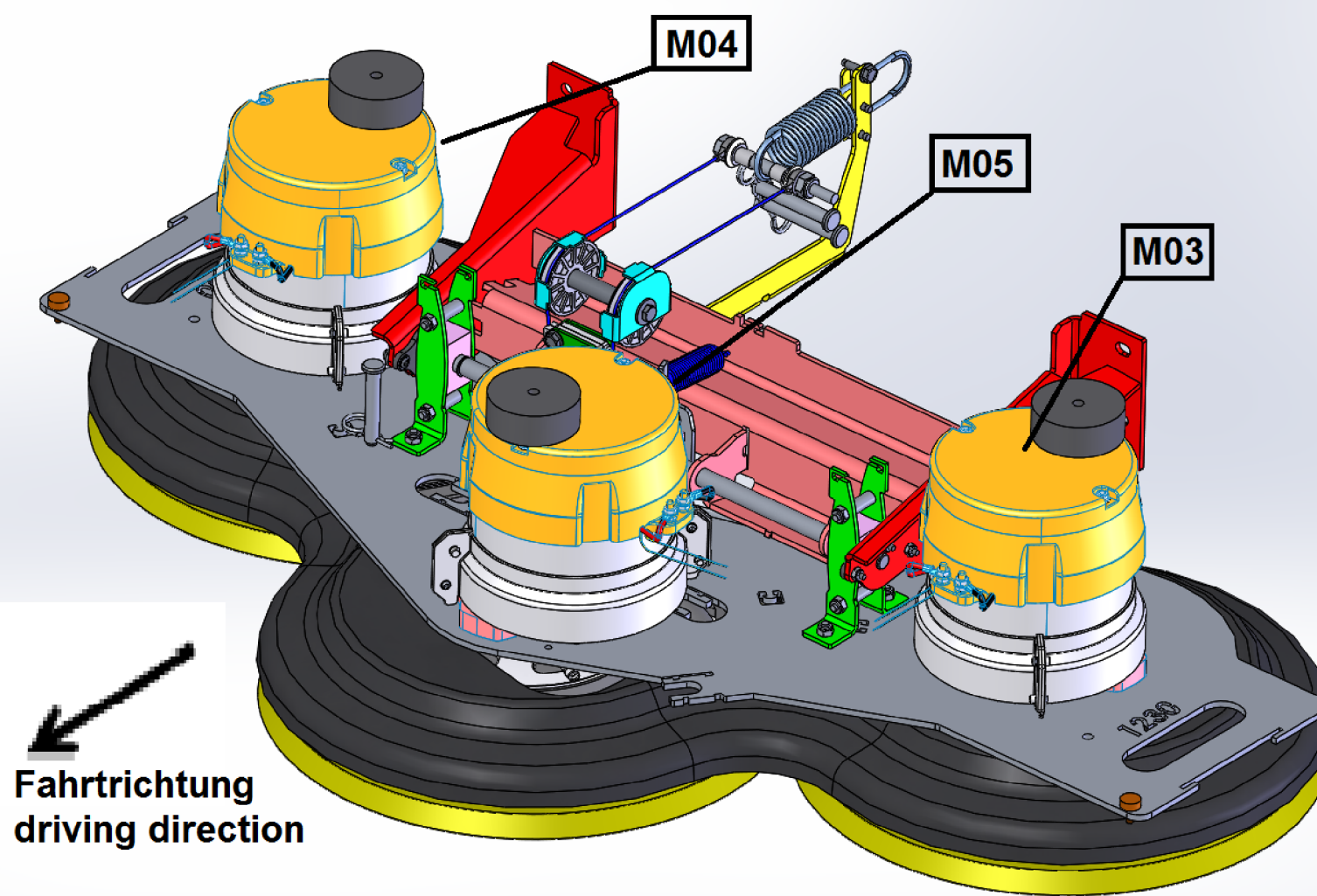


Integrated acc.		4070-30	06.05.19	Ri	2017	Date	Name	B260 R	Name	 Hako GmbH D-23840 Bad Odesloe	Drawing Number					
A2	No. Number appears	Change No.	Date	Name	Standard	24.07.	Ri	Replacem. for	Schaltplan B260 R / circuit diagram B260 R		91039289					
Change No. 0000-05									For this drawing we reserve all rights (acc. DIN ISO 16016)			KAB1 470	Type 7436	Dep. DS	No. of Sh. 18	Sheet 17

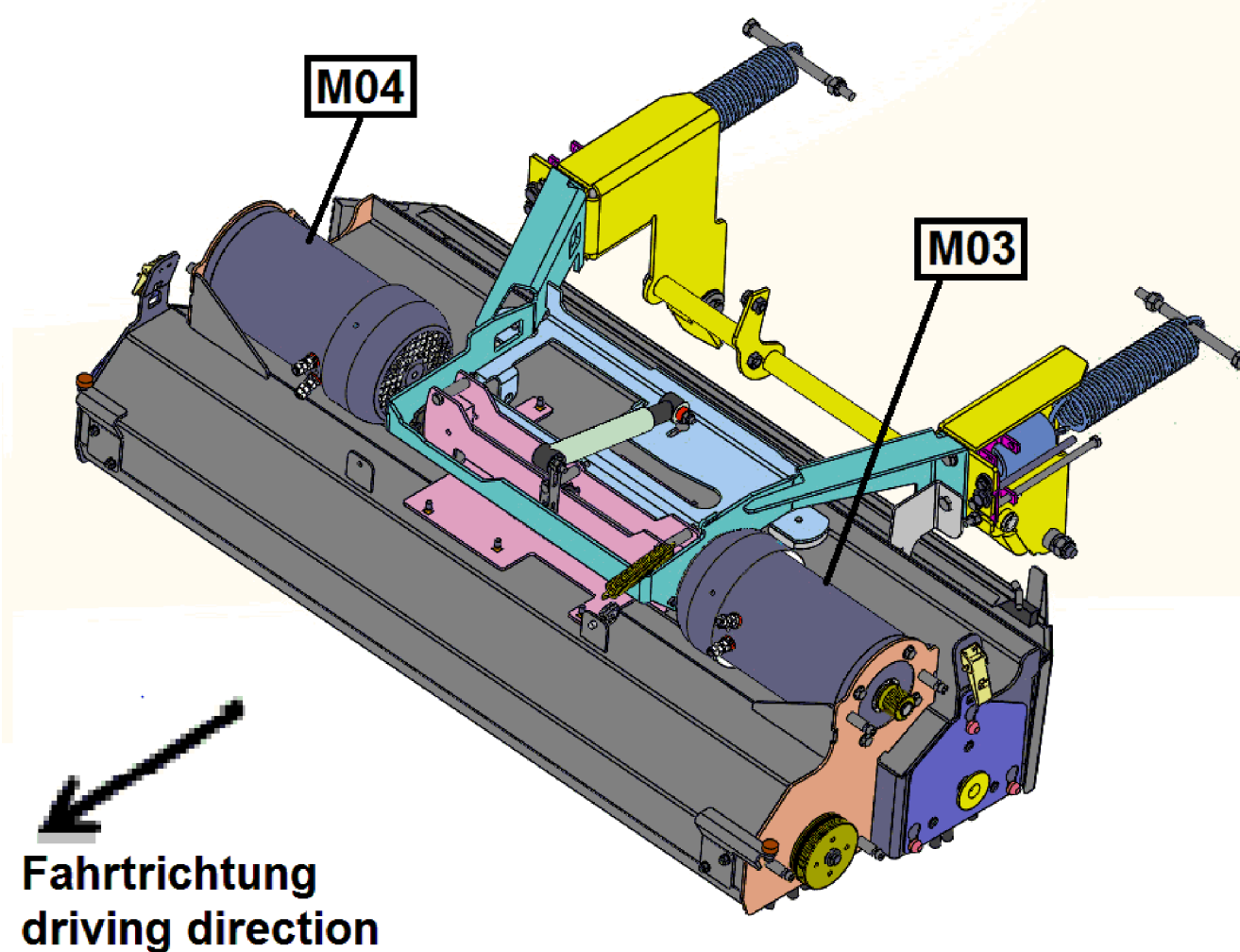
Tellerbürstendeck TB1080
plate brush deck TB1080



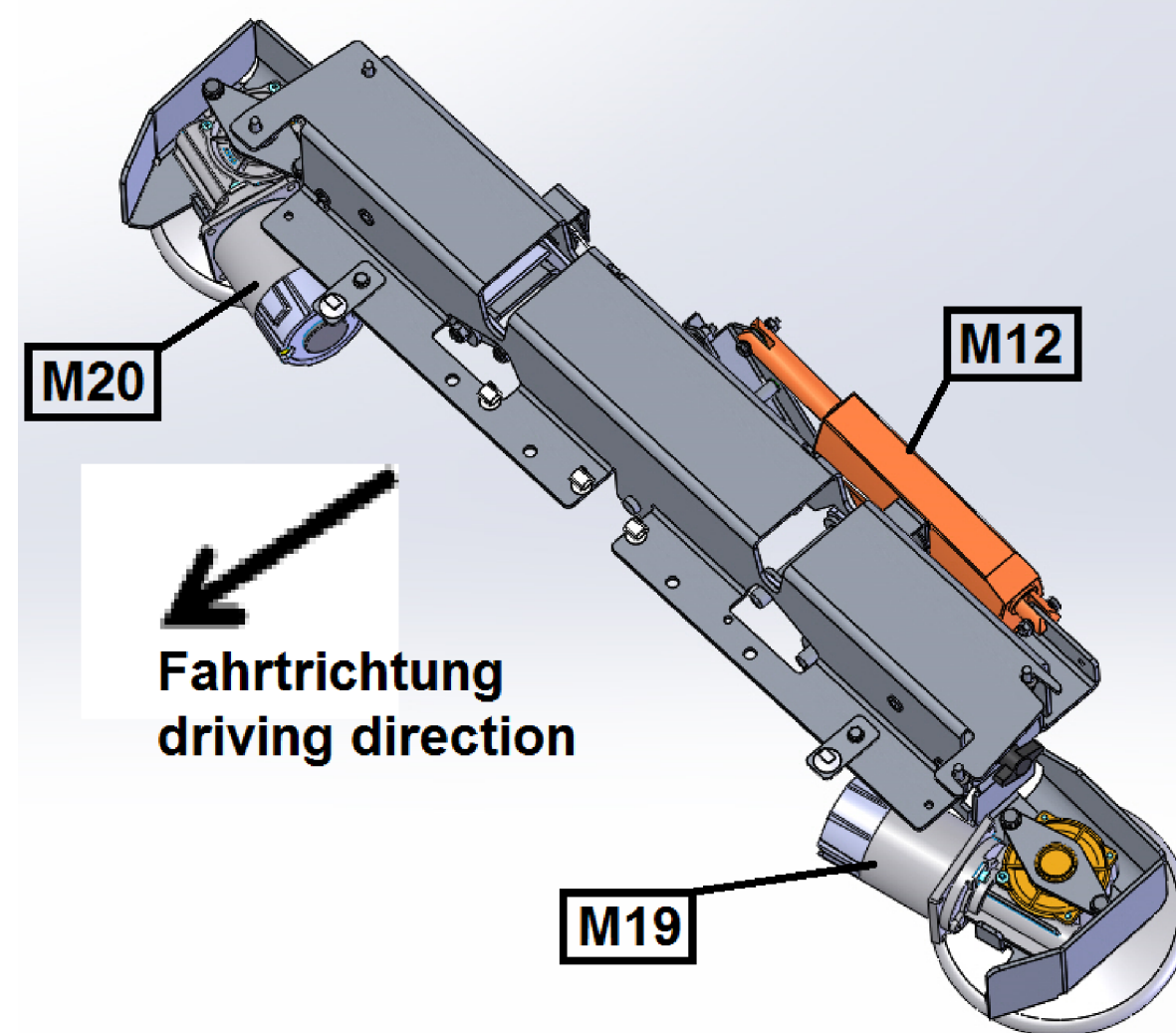
Tellerbürstendeck TB1230
plate brush deck TB1230



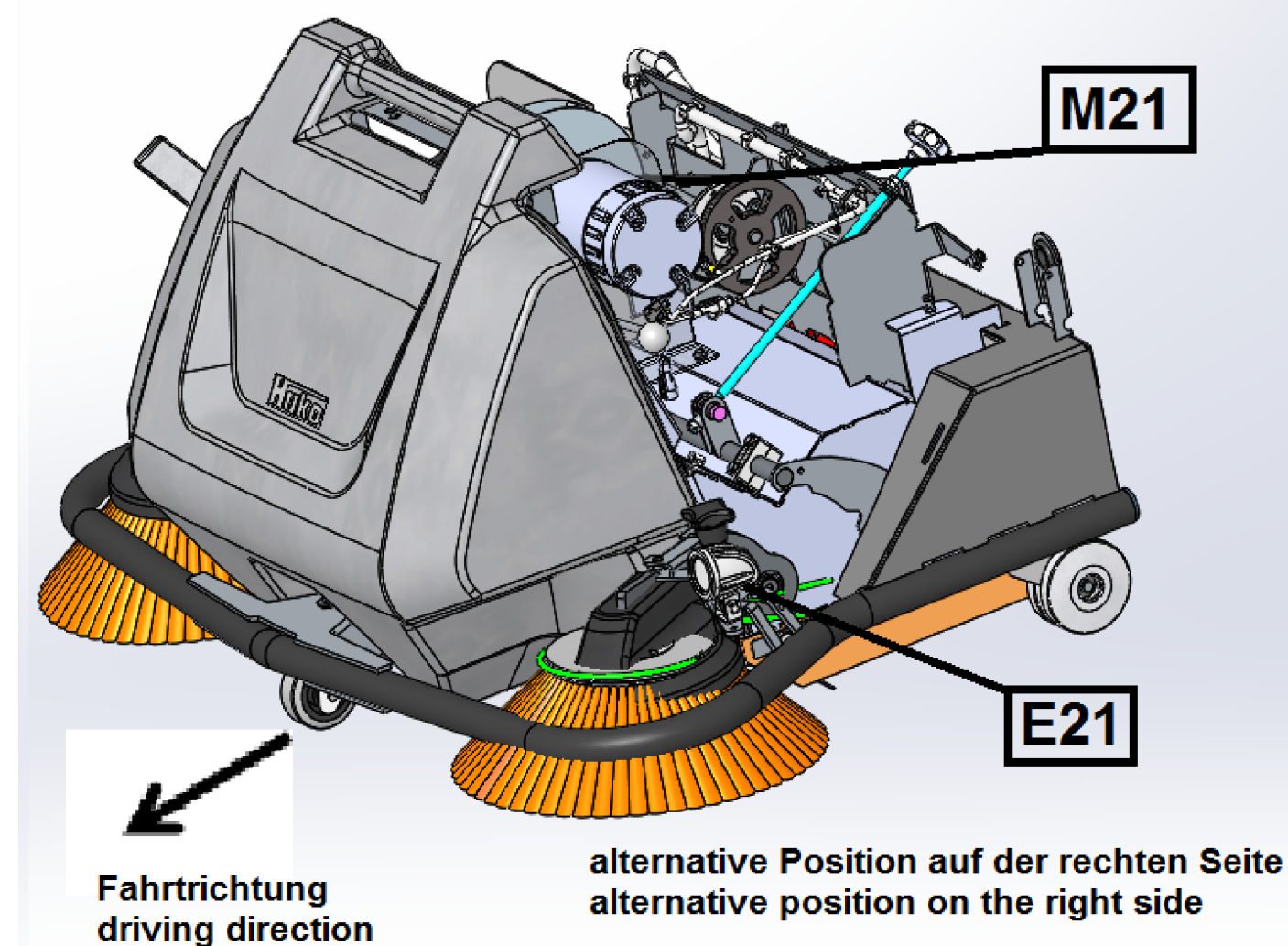
Walzenbürstenkopf WB1080
cylindrical brush deck WB1080




Seitenbesenanlage
attachment side brush



Kehr-Saug-Vorsatz
sweep-suction attachment



Integrated acc.		4070-30	06.05.19	Ri	2017	Date	Name	B260 R	Name	Schaltplan B260 R / circuit diagram B260 R	 Hako GmbH D-23840 Bad Oldesloe	Drawing Number		
A2	No. Number appears	Change No.	Date	Name	Standard	24.07.	Ri	Replacem. for	For this drawing we reserve all rights (acc. DIN ISO 16016)			KAB1 470	Type 7436	Dep. DS
								Change No. 0000-05						